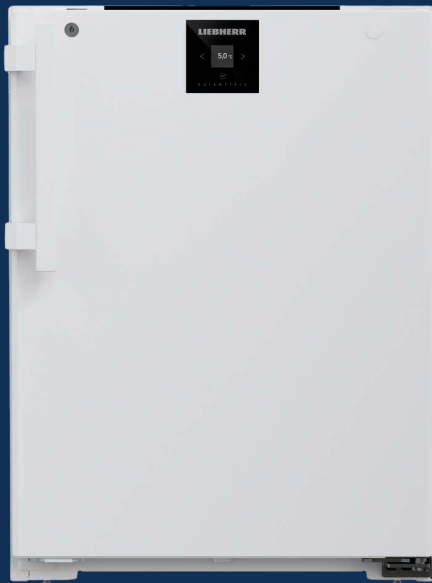


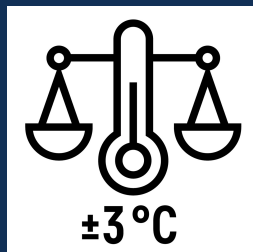
# SRTvg 1501

4.7 cu. ft. Performance solid door undercounter refrigerator



## Energy Star

Liebherr refrigerators help to produce less energy waste and greenhouse gas emissions with the aim of having the least damaging effect on the environment and offering solutions that help consumers conserve energy.



## $\pm 3^{\circ}\text{C}$ temperature stability

Temperature fluctuations must be minimal to ensure that the quality of sensitive substances is preserved. Liebherr refrigerators have an impressive maximum deviation of just  $\pm 3^{\circ}\text{C}$  from the set temperature. This not only maintains the storage climate, but also the value of your stored goods



## $+2^{\circ}\text{C}$ SafetyDevice

If the temperature falls below  $+2^{\circ}\text{C}$  due to a malfunction while the temperature setting is at  $+5^{\circ}\text{C}$  or higher, the SafetyDevice takes control, stabilizing the temperature, activating the alarm and protecting the contents from freezing. At colder settings, this activation threshold decreases relatively with the temperature setting.



## Retrofittable WiFi/LAN interface

This is how easy it is to network a Liebherr: With the retrofittable WiFi and LAN interface, appliances can be effortlessly connected to external systems. With the digital monitoring solution, the storage temperature is controlled and documented conveniently and securely via the subsequently set up interface.

# LIEBHERR

# SRTvg 1501

4.7 cu. ft. Performance solid door undercounter refrigerator

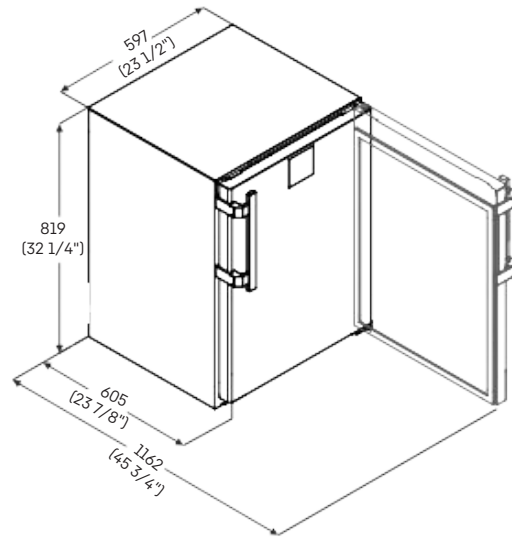
## Laboratory Refrigerator



home.liebherr.com



## Unit Dimensions



SRTvg 1501	
Total gross/net capacity	4.7 / 4.0 cu. ft. ( 133 / 113 l )
Exterior dimensions in mm (w/d/h) in inches (w/d/h)	597 / 605 / 819 mm 23 1/2" / 23 7/8" / 32 1/4"
Interior dimensions in mm (w/d/h) in inches (w/d/h)	450 / 440 / 620 mm 17 11/16" / 17 5/16" / 24 7/16"
Energy Consumption*	0.42 kWh / day
EnergyStar rated	Yes
Ambient temperature	+10°C to +35°C (+50°F to +95°F)
Refrigerant	R 600a
Sound rating**	47 dB(A)
Connection rating	2.0 A
Voltage/ Frequency	115V / 60 Hz
Cooling system/Defrost	Forced-air / automatic
Temperature range	+3°C to +16°C
External cabinet finish	Steel / white
Door/lid material	Steel / white
Internal liner material	Commercial grade polystyrene
Type of control	Touch Display
Alarm	Visual and audible
Alarm forwarding	Yes
Interior Light	-
Adjustable shelves	3
Shelf material	Wire shelves plastic coated
Shelf load weight	45 kg ( 99 lbs)
Usable Shelf Area	450 x 425 (17 3/4" x 16 3/4")
Handle	Antimicrobial handle with opening mechanism
Lock	Mechanical
Self-closing door	Yes
Door Hinges	Right, reversible on site
Access port	1 x Ø 12 mm
Net weight	36 kg (78.7 lbs)

## Accessories

White grid shelf	7113408
Perforated metal shelf, white	7746588
Castors/ adjustable legs	9904819/ 9906105
Scanner rail	7401607
Additional lock barrels	on request
Stacking kit, white	9876098
Side-by-side, set in white	9031901
SmartModule	6145269

\* Measured unloaded at 26.6°C (80°F) ambient temperature with set point of 3.3°C (38°F). \*\* Noise level – sound power re 1pW – according to IEC 60704-2-14.