

Model 400/450 Sky Sentry – Wall Mounted Fume Extractor



Model # SS-400/450-SKY

The **Model 400/450 Sky Sentry** is a wall mounted fume extractor that features a free hanging, self-supportive and flame-retardant flex arm that can easily be maneuvered by the operator to their desired location. In limited space environments, this unit frees up valuable benchtop and floor space while the flex arm provides a 62.5" swivel radius.

Typical applications for this system include: *welding fume extraction, brazing fume control, particulate extraction, removal of organic vapors, solvent and epoxy fumes, chemical fumes, light grinding, and various other industrial processes where a wall-mounted fume extractor is needed.*

This system utilizes a powerful fan to draw in most of the fumes and particulate into the filtration chamber before releasing the filtered air into the surrounding room. Depending on the application, several filter combinations can be utilized. Typical filtration media include: **HEPA** (up to 99.97% efficiency on particles 0.3 microns and larger), **ASHRAE** (up to 95% efficiency on particles 0.5 microns and larger), **ULPA** (up to 99.9995% efficiency on particles 0.12 microns and larger), **Activated Carbon**, and **specialty-blended filter media** [i.e. acid gas, mercury, aldehyde, and ammonia]. Multiple filter media can be housed inside the filter chamber for applications that emit both particulates and fumes.

Two smaller models [SS-200-SKY & SS-300-SKY] and one larger model [SS-450-SKY] are also available. This system is also available with an outlet plenum.

Product Features

- **Includes:** variable speed controller with wired remote, wall mounting brackets, and (1) self-supportive flexible arm with 62.5" swivel radius
- **Optional:** Magnehelic Gauge and hour counter
- Quiet, reliable, and low maintenance operation
- Low power consumption
- Long filter life
- Simple, quick "no tool" filter change



Model 400/450 Sky Sentry



Model 400/450 Sky Sentry provides source capture fume extraction without taking up valuable benchtop space.

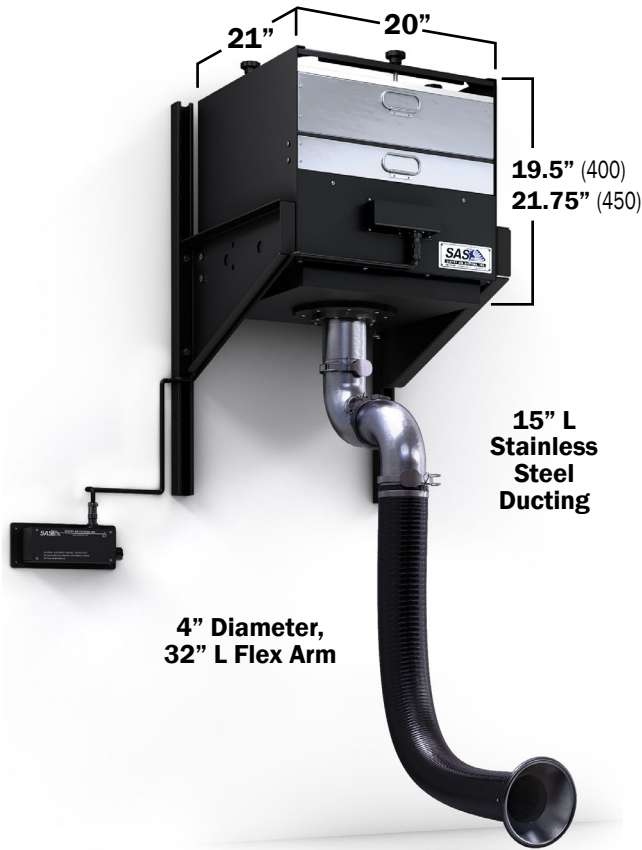


21221 FM 529 Rd, Cypress, TX 77433
1.800.799.4609 • sales@sentryair.com

www.sentryair.com

Fume & Particulate Removal

Product Specifications



Dimensions are approximate.
Shown with optional accessories.



21221 FM 529 Rd
Cypress, TX 77433
1.800.799.4609
sales@sentryair.com

www.sentryair.com

Base Unit Dimensions (L x W x H)	400: 21" x 20" x 19.5" 450: 21" x 20" x 21.75" <i>(width does not include mounting brackets)</i>
Arm Dimensions	4" diameter, 32" L fire-retardant flex arm, 15" L stainless steel ducting 7" diameter round hood
Cabinet Material	16 ga. carbon steel
Weight	Approx. 50 - 110 lbs.
Air Volume (approximately)	400: 50 - 700 CFM 450: 0 - 877 CFM <i>(from low to high)</i>
Electrical	400: 115/1/60, 2.5 amps 220/1/50 or 60, 1.5 amps 450: 115/1/60, 5.2 amps 8' grounded power cord with NEMA 5-15P plug
Sound Level (3' from inlet)	400: Approx. 60 dba (<i>high</i>) 450: Approx. 71 dba (<i>high</i>)
Main Filter Options	<i>Depending on the Application:</i> 400 - Chemical: Activated Carbon Specialty-Blended Filter Media [i.e. acid gas, mercury, aldehyde, and ammonia] 400 & 450 - Particulate: HEPA [up to 99.97% efficiency on particles 0.3 microns and larger] ASHRAE [up to 95% efficiency on particles 0.5 microns and larger] ULPA [up to 99.9995% efficiency on particles 0.12 microns and larger]
Patent #	5,843,197