

Model 300 Winged Sentry Fume Extractor

MADE IN
THE USA



SINCE 1983

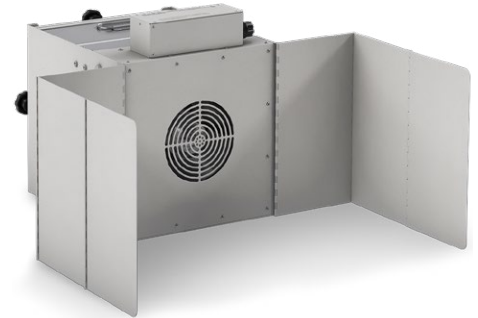
Model # SS-300-WS

The **Model 300 Winged Sentry** provides benchtop fume extraction with a unique design and horizontal airflow pattern. The wing flaps can be infinitely adjusted to assist in directing contaminated air towards the unit's inlet, into the filter chamber, and away from the operator working between the wings. This system offers hood-like containment without the confinements of working within an actual hood. The operator can place these wings in the most effective position for their application, or they can be placed flat against the sides of the unit to conserve space. This system offers a standard variable speed controller and an optional clear, hinged acrylic lid for those seeking further containment.

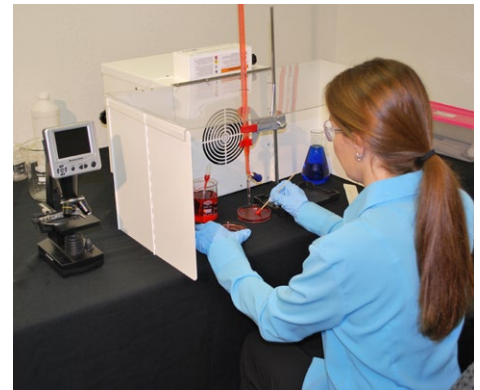
Typical applications include *chemical fume extraction, soldering, light grinding, pharmaceutical applications like powder and capsule filling, R&D, solvent and epoxy fume control, and many other applications that involve VOC fumes and dusts.*

Appropriate filtration media depends on the application but typical filtration choices include **HEPA filter** (up to 99.97% efficiency on particles 0.3 microns and larger), **ASHRAE filter** (up to 95% efficiency on particles 0.5 microns and larger), **Activated Carbon**, and **specialty-blended filter media** (i.e. acid gas, mercury, aldehyde, and ammonia). The **Winged Sentry** allows multiple filter media to be housed inside the filter chamber for applications that emit both particulates and fumes.

The Winged Sentry is also available in a smaller model [Model SS-200-WS].



Model 300 Winged Sentry



The Model 300 Winged Sentry (shown with optional lid) provides hood-like fume extraction with more space to work.

Product Features

- **Includes:** variable speed controller (115V only), ON/OFF toggle switch (220V only), and infinitely adjustable "wing flaps"
- **Optional:** hour counter and hinged clear acrylic lid
- Sturdy construction
- Quiet, reliable, and low maintenance operation
- Low power consumption
- Long filter life
- Simple, quick "no tool" filter change



The Model 300 Winged Sentry with lid extracts most of the fumes and particulate for a variety of laboratory and medical applications.

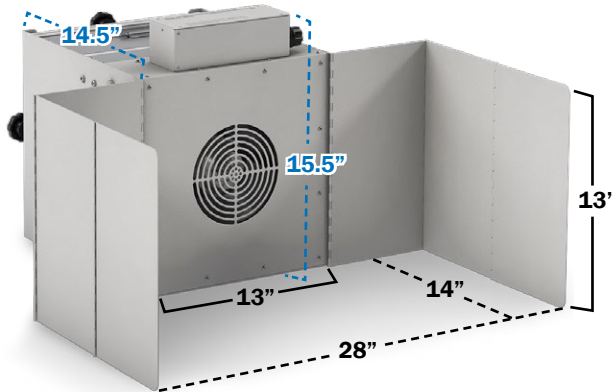


21221 FM 529 Rd, Cypress, TX 77433
1.800.799.4609 • sales@sentryair.com

www.sentryair.com

Fume & Particulate Removal

Product Specifications



Dimensions are approximate



21221 FM 529 Rd
Cypress, TX 77433
1.800.799.4609
sales@sentryair.com

www.sentryair.com

Base Unit Dimensions	Length: 14.5" Width: 13" Height: 15.5" (Including Control Box)
Work Area Dimensions	When wings positioned at 90°: Depth: 14" Width: 28" Height: 13"
Cabinet Material	16 Ga. carbon steel
Weight (approximately)	40 - 50 lbs
Air Volume (approximately)	High: up to 350 CFM Low: down to 50 CFM
Electrical	115/1/60, 2 amps 220/1/50, 0.75 amps 8' grounded power cord with NEMA 5-15P plug
Sound Level (at 3' from inlet)	61 to 66 dba (Low to High)
Main Filter Options	Depending on the Application: HEPA [up to 99.97% efficiency on particles 0.3 microns and larger] ASHRAE [up to 95% efficiency on particles 0.5 microns and larger] ULPA [up to 99.9995% efficiency on particles 0.12 microns and larger] Activated Carbon Specialty-Blended Filter Media [i.e. acid gas, mercury, aldehyde, and ammonia]
Warranty	Limited two year warranty from date of shipment on defects due to materials or workmanship.
US Patent #	5,843,197