

Model 200/225 Table Sentry

Model # SS-200/225-TS



The **Table Sentry** is a compact fume extractor that is built specifically for stationary, benchtop operations where airborne fumes need to be captured and filtered at the work surface level. An optional adjustable height stand is available and is highly efficient for elevated operations such as solder pot applications.

Typical applications include *soldering, light grinding, solvent and epoxy fumes, particulate, powder filling, solder pot fumes, and a variety of other applications involving chemical fumes and dust.*

This system incorporates an energy-efficient fan and high-quality filtration media to capture and purify harmful particulate. The most common filters utilized in this unit are **HEPA filtration** (up to 99.97% efficiency on particles 0.3 microns and larger), **ASHRAE filtration** (up to 95% efficiency on particles 0.5 microns and larger), **Activated Carbon**, and **specialty-blended filtration media** [i.e. acid gas, mercury, aldehyde, and ammonia].

The **Table Sentry** fume extractor offers an effective, quiet and economical solution for many benchtop operations which require fume extraction.



Model 200/225 Table Sentry



The operator is using the benchtop Model 200/225 Table Sentry to help protect herself from inhaling harmful soldering fumes.

Product Features

- Highly portable and lightweight
- Quiet, reliable, low maintenance operation
- Sturdy construction
- Simple, quick “no tool” filter change
- Long filter life
- **Optional:** variable speed controller and hour counter



21221 FM 529 Rd, Cypress, TX 77433
1.800.799.4609 • sales@sentryair.com
www.sentryair.com

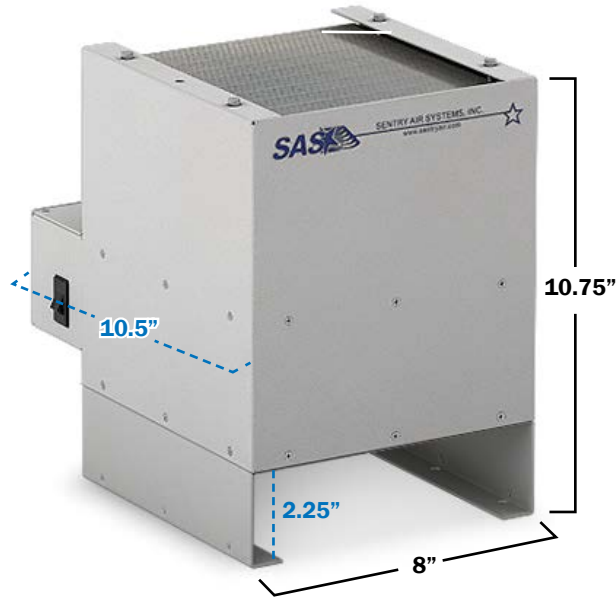
Fume & Particulate Removal

Product Specifications

MADE IN THE USA



SINCE 1983



Dimensions are approximate.



21221 FM 529 Rd
Cypress, TX 77433
1.800.799.4609
sales@sentryair.com

www.sentryair.com

Base Unit Dimensions	Length: 10.5" (includes control box) Width: 8" Height: 10.75"
Slot Dimensions	2.25"
Cabinet Material	16 ga. carbon steel with polyester epoxy coating
Weight	Approx. 12 lbs.
Air Volume (approximately)	95% ASHRAE: 200: up to 100 CFM 225: up to 130 CFM Pre-Filter + 2.5# Carbon: 200: up to 50 CFM
Electrical	200: 115/1/60, 0.3 amps 220/1/50, 0.2 amps 225: 115/1/60, 0.46 amps 8' grounded power cord with NEMA 5-15P plug
Sound Level (High at 3' from inlet)	200: Approx. 58 dba 225: Approx. 64 dba
Main Filter Options	<i>Depending on the Application:</i> 200 - Chemical: Activated Carbon Specialty-Blended Filter Media [i.e. acid gas, mercury, aldehyde, and ammonia] 225 - Particulate: HEPA [up to 99.97% efficiency on particles 0.3 microns and larger] ASHRAE [up to 95% efficiency on particles 0.5 microns and larger] ULPA [up to 99.9995% efficiency on particles 0.12 microns and larger]
Patent #	5,843,197