

Rotary Evaporator

Manual lift with analog control

RE201/211

Evaporating / receiving flask

1L (Standard)

Rotation speed control range

20~180rpm

Water bath temp. range

Room Temperature+5 to 95°C



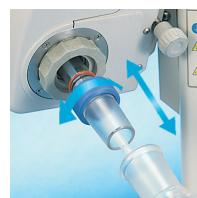
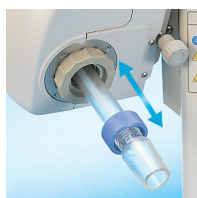
RE-201-200A with optional arm jack (Glassware A)

RE-201-200B with optional arm jack (Glassware B)

RE-201-200C with optional arm jack (Glassware C)

Features

- Speed can be changed freely with the control knob
- Option for either a 4L or 7L capacity water bath
- Adjustable locking position of rotary joint (patent # 3220033)
- Evaporation flasks are easily removable with built in flask remover
- Optional arm jack permits setting flexibility



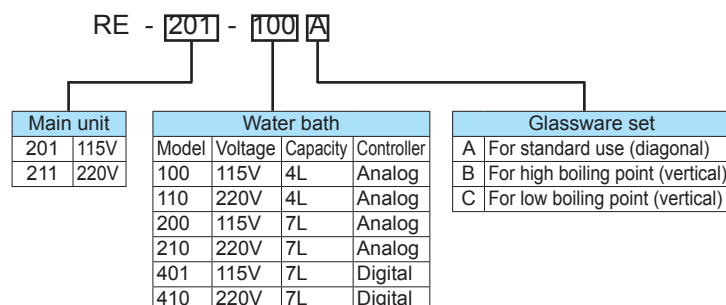
Specifications

Model	RE201	RE211
Rotational number control range	20~180rpm	
Drive system	Worm gear system	
Motor	Induction motor, 25W	
Ambient temperature range	5~35°C	
External dimensions(W×D×Hmm)	420×290×837	
Weight	~ 11 kg	
Power source 50/60Hz	AC 115V 50/60Hz 0.6A	AC 220V 50/60Hz 0.3A

Set Selection Chart

Model	Glassware			Water Bath		
	A	B	C	BM100	BM200	BM401
RE-201-100A	●			●		
RE-201-100B		●				
RE-201-100C			●	●		
RE-201-200A	●				●	
RE-201-200B		●			●	
RE-201-200C			●		●	
RE-201-401A	●					●
RE-201-401B		●				●
RE-201-401C			●			●

Set Guide



Model	Glassware			Water Bath		
	A	B	C	BM110	BM210	BM410
RE-211-110A	●			●		
RE-211-110B		●		●		
RE-211-110C			●	●		
RE-211-210A	●				●	
RE-211-210B		●			●	
RE-211-210C			●		●	
RE-211-410A	●					●
RE-211-410B		●				●
RE-211-410C			●			●

Operational Accessories

Glassware Set

Product code	Set
RE-200-183	Set A (use with cooling water) The Standard glass set where condenser is tilted diagonally, suitable for standard distillation
RE-200-184	Set B (use with cooling water) The condenser is set vertical, suitable for distillation of solvent with higher boiling points. When space is limited, the use of a vertical condenser set up is recommended
RE-200-185	Set C (use with dry ice) The cold finger glass condenser is set vertically, suitable for distillation of volatile or low boiling point solvents. When space is limited, the use of a vertical condenser set up is recommended

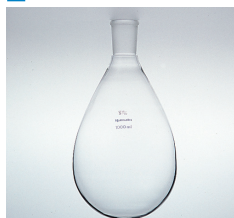
Bath Specifications



Model	BM100	BM110	BM200	BM210	BM401	BM410	BO601
Type	Water bath						Oil bath
Temp. control range during operation	RT +5°C~95°C						RT+5°C~180°C
Temp. setting range	0°C~100°C						0°C~200°C
Temp. display method	Glass thermometer				Digital display shows measured / set temperature		
Set up system	Analog setting				Digital setting by ▲/▼ keys		
Bath capacity	4L		7L				
Bath dimension	ø200 x Depth120 mm		ø250 x Depth150 mm				
Weight	~3.5kg		~6.0kg		~7.0kg		~8.0kg
Power source 50/60Hz	115V 4.5A	220V 2.3A	115V 9A	220V 4.5A	115V 11A	220V 5.2A	115V/220V

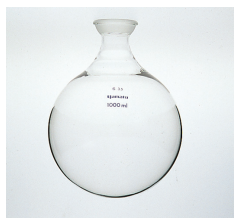
Optional Accessories

Glassware



Evaporating flask

Product code	Size	Capacity
25527324	24/40	2L
25527334	24/40	500ml
25527344	24/40	300ml
25527354	24/40	200ml
25527364	24/40	100ml



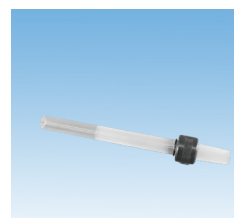
Receiving flask

Product code	Size	Capacity
LT00016210	35/20	2L
LT00016180	35/20	500ml
LT00016209	35/20	300ml
LT00016208	35/20	200ml
LT00016207	35/20	100ml



Trap ball

Product code	Description
LG1910270055	TS 24/40-24/40



Steam duct / Rotary joint

Product code	Description
RG00A30011 (24/40)	With o-ring and nut

Armjack



Product code	Rod O.D.
255080	21.7mm

Organic Solvent Recovery Unit



Model	RT200
Condenser	Hard glass
Solvent collecting flask	500mL hard glass S35/20
Flask clamp	For 35mm
Outer covering	Print coating finish made from cold rolling steel sheet
Door	Acrylic door
IN/OUT nipple connected to a cooling water hose	Outer diameter: 9mm
IN/OUT nipple connected to a vacuum water hose	Outer diameter: 6mm
External diameter	W260*D400*H428mm

RT200 extracts organic solvent substances from gas generated by the rotary evaporator during concentration work, and prevents the discharge of dangerous substances

Water Circulator (Chiller)



Model	CF301
Operating temp. range	-20°C~Room temp.
Temp. control accuracy	±2°C
Cooling capacity	~450W(387Kcal/h)at Liquid temp. 10°C ~360W(309Kcal/h)at Liquid temp. 0°C ~270W(232Kcal/h)at Liquid temp. -10°C
Temp. control	Refrigerator On/Off Control
Refrigerator, coolant	Air cooling 450W, R404A
Water bath dimension	151 x 151 x 177
Water capacity	~4L (Liquid amount 3L)
Power source	AC115V / AC220V
Weight	~50kg

CF301 keeps water in the condenser at a stable low temperature which increases evaporation rate and maximizes solvent collection. Use with glassware A or B

Vacuum Pump



Model	DTC-22A	DTC-22B
Discharge rate 50Hz	20L/min	
60Hz	24L/min	
Ultimate pressure	1.0x10 ⁻² Pa (7.5 Torr)	
Motor	AC115, Single phase 50W, 4P, with condenser-run thermal protection relay (automatic reset)	AC220, Single phase
Rated current	1.20/1.32A (50/60Hz)	0.60/0.72A (50/60Hz)
Speed	1260/1580rpm	1275/1570rpm
Inlet and outlet piping	O.D. ø10 x I.D. Φ6 (G1/4)	
Weight	7.1kg	
Air temperature	0~40°C	
Overall dimensions	W142 x L272 x H202 mm	
Product code	DTC22A115RERKIT	DTC22B220RERKIT
Components	DTC-22A Dry Vacuum Pump, 5' of 8mm ID Rubber Hose, Hose Clamp	DTC-22A Dry Vacuum Pump, 5' of 8mm ID Rubber Hose, Hose Clamp

Vacuum Regulator



Model	VR100
Setting range of vacuum	1~1,013hPa
Grading pressure setting range	66~600 hPa
Grading time setting range	1~99hrs.59mins.
Display	Digital setting by ▲/▼ keys
Control mode	Fixed value control, ramp control
Output	For vacuum, leak valve
Hose connector	Nozzle O.D. ø9.5mm
Dimension, weight	W155*D190*H145mm, ~3.5kg
Power supply	AC100V 50/60Hz 1A External transformer required