



More information on the website
radwag.com/en/info,w1,V06

HY10.62.HRP High Resolution Scale



HY10.62.HRP High Resolution Scale

The drawings, photos and graphics used are for illustrative purposes only.

Functions



Dosing



Labelling



Plus/Minus Control



Percent Weighing



Totalizing



Parts counting



Peak hold



Formulation



Newton unit measurement



Statistics



Checkweighing



GLP Procedures



Animal weighing



Differential weighing



Replaceable unit



Statistical Quality Control



ALIBI Memory



Transactions

Datasheet

HY10.62.HRP High Resolution Scale	
Metrological parameters	
Maximum capacity [Max]	62 kg
Minimum load	25 g
Preload range	30 kg
Readability [d]	0,1 g
Tare range	-62 kg
Repeatability	0,08 g
Linearity	±0,4 g
Stabilization time	2 s
Adjustment	internal (automatic)
Physical parameters	
Display	10" graphic colour touchscreen
Weighing pan dimensions	500×400 mm
Packaging dimensions	610×710×505 mm
Net weight	41 kg
Gross weight	35 kg
Construction	
Protection class	IP 66/67 construction, IP 68/69 indicator
Construction	mild steel St3S
Weighing pan material	Stainless steel AISI304
Communication interface	
Communication interface	2×RS232, 2×USB-A, Ethernet, 4 IN / 4 OUT (digital)
Optional interfaces	module Wi-Fi 802.11 b/g/n, module Profibus (DP SLAVE), module RS485, module PROFINET (RJ45), analog output module (4-20mA, 0-20mA, 0-10V) , 12IN / 12OUT (IN – 5-24 VDC, OUT – max 30 VDC, 0,5 ADC)
Electrical parameters	
Power supply	100 – 240 V AC 50/60 Hz
Environmental conditions	
Operating temperature	+10 ÷ +40 °C
Relative humidity	40% ÷ 80%

Repeatability is expressed as the standard deviation of ten load placements. Relative humidity under non-condensing conditions. Stabilization time under optimal environmental conditions.

* Wi-Fi® is a registered trademark of Wi-Fi® Alliance.



Accessories

RS 232 cables (scale - printer)
Transponder card readers
RS 232 cables (scale - ZEBRA printer)
RS 232 cables (scale - Ethernet)
Displays
RS 232, RS 485 cables
IN/OUT Cables
Barcode scanners

Label Printers
Stands, wall mounting kits and mounting brackets
Keypad, external switches
Receipt Printer
USB cable (scale - printer)
Additional Weighing platforms Module
Additional modules
RS 232 – USB Converter

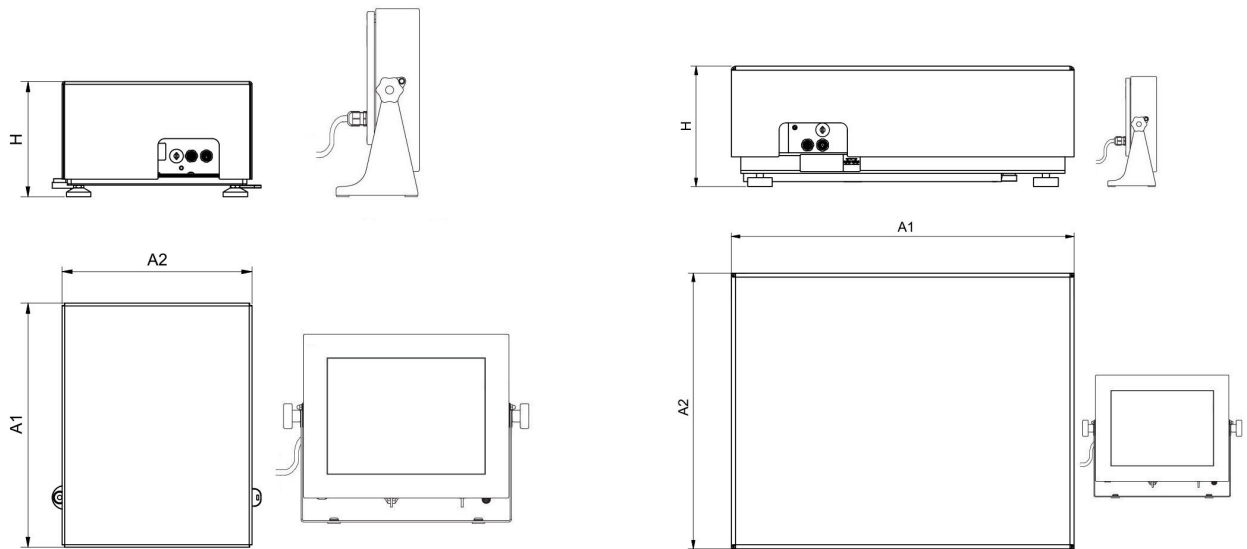
Software

E2R System
 Audit Trail Reader
 RADWAG Remote Desktop
 Scales Editor 2.1

RAD-KEY
 Label Editor R02
 R-LAB
 RADWAG Development Studio

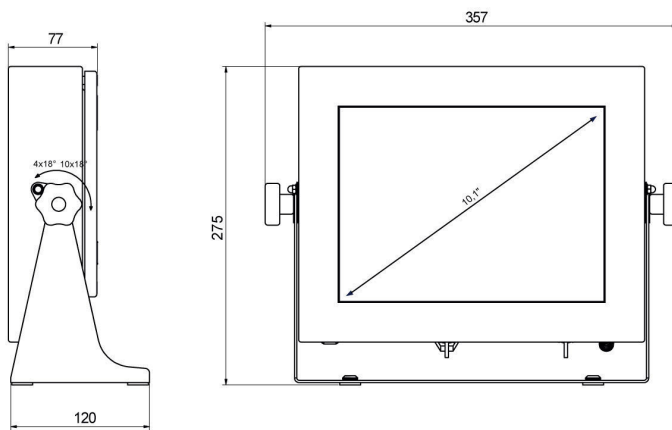
Device dimensions

HY10.62.HRP High Resolution Scale



HY10.16 - 32.HRP

HY10.HRP



PUE HY10

Scale type	A1	A2	H
HY10.(16-32).HRP	360	280	180±5
HY10.(62-150).HRP	500	400	180±5
HY10.150.2.HRP	500	500	180±5
HY10.(150.1-300).HRP	800	600	180±5
HY10.(300.1-1100).HRP	1000	800	180±5
HY10.(2000).HRP	1250	1000	180±5

Dimensions in mm