

## PH-ABT-NSF-UCBI-0420-ADA-LH

### Product Description

These premier built-in undercounter freezers are designed in accordance with the NSF/ANSI 456 Standard for Vaccine Storage. Units protect pharmaceuticals at optimal temperatures, preventing waste and allowing for peak delivery.

The freezers utilize microprocessor controllers and feature temperature alarms, remote alarm contacts, and probe access ports with included probes. American Biotech Supply Vaccine Storage Freezers utilize HFC-free refrigerant for environmental health and energy efficiency.

### General Description and Application

|                                  |  |
|----------------------------------|--|
| Description                      | Single Solid Door Pharmacy/Vaccine Undercounter Manual Defrost Freezer Built-In ADA  |
| Operational environment          | Indoor use only, +18°C to +26°C (+65°F to +78°F), <70% RH  |
| Storage capacity                 | 4.2 cu. ft. gross volume   |
| Door                             | One swing solid door, self-closing, left hinged, non-reversible, magnetic sealed gasket, keyed lock  |
| Shelves                          | Two shelves, fixed   |
| Mounting                         | Low profile roller wheels and leveling legs  |
| Interior lighting                | N/A  |
| External probe access            | Rear wall port (3/4" dia.  |
| Insulation                       | Cabinet is foamed-in-place with EPA compliant high density urethane foam   |
| Exterior materials               | White powder coated steel  |
| Access control                   | Pyxis®, Omnicell® and AcuDose RX® compatible   |
| General warranty                 | Two (2) years parts and labor warranty, excluding display probe calibration  |
| Compressor warranty              | Five (5) years compressor warranty   |
| Product Weight                   | 100 lbs.   |
| Shipping Weight                  | 132 lbs.   |
| Rated Amperage                   | 1.5 Amps   |
| Power Plug/Power Cord            | NEMA 5-15 plug, 8 to 10 ft typical, conforms to UL471 requirements, Vaccine storage power cord warning label   |
| Facility Electrical Requirement  | 110-120V AC: 15 A (minimum)  |
| Agency Listing and Certification | Compliant with the thermal performance requirements as defined in the NSF/ANSI 456 Standard for Vaccine Storage for all testing protocols. UL, C-UL, ETL, C-ETL listed (either single or dual agency listings) and certified to UL471 standard, hydrocarbon refrigerant safety.  |
| Included Accessories             | Temperature monitor device (TMD) complies with the current CDC guidelines, with 3 years certification of calibration, "buffered" probe in the product simulated solution, min/max memory. °F/°C switchable, field installable, and visual & audible temp alarm<br><br>Pharmacy refrigerator/freezer toolkit and temperature logs |

### Refrigeration System

|             |  |
|-------------|--|
| Compressor  | Hermetic, high performance             |
| Refrigerant | EPA SNAP compliant, R600a, Isobutane   |
| Condenser   | Hybrid fin and tube with low noise fan |
| Evaporator  | Integrated shelf evaporator design     |
| Defrost     | Manual                                 |

### Performance

|   |  |
|---|--|
| Uniformity <sup>1</sup> (Cabinet air)       | +/- 2.6°C  |
| Stability <sup>2</sup> (Cabinet air)        | +/- 2.1°C  |
| Maximum temperature variation (Cabinet air) | +/- 2.9°C  |
| Temperature rise after 5 sec door openings  | Temperature did not exceed -17.5°C at any probe for all required NSF/ANSI 456 testing protocols <sup>3</sup> |
| Recovery after 60 sec door opening          | All probes recover to under -15°C within 8.2 min.  |
| Energy consumption                          | 0.97 KWh/day <sup>4</sup>  |
| Average heat rejection                      | 1.97 KWh/day (224 BTU/h) <sup>4</sup>  |
| Noise pressure level (dBA)                  | 49 or less installed   |
| Pull down time to nominal operating temp    | 51 min   |

### Controller, Configuration, Alarms and Monitoring

|                            |   |
|----------------------------|---|
| Controller technology      | Parametric, microprocessor, LED display with 0.1°C resolution   |
| Temperature setpoint range | -15°C to -28°C (Controller settings must remain unaltered to ensure thermal performance compliant with NSF/ANSI 456 requirements) |
| Display probe              | Calibrated, stainless steel   |
| External alarm connection  | State switching remote alarm contacts<br>Visual and audible indicators  |
| Alarms                     | High / Low temperature, compliant with alarm requirements defined in the NSF/ANSI 456 Standard for Vaccine Storage                |
| Simulator ballast          | 20 ml bottle, glass bead thermal media  |

Performance data acquired at 22°C ambient, using NSF/ANSI 456 compliant validation ballast probes, empty chamber, during stabilized steady state operation and a DAQ sampling rate of one measurement every 10 seconds

- 1 - Uniformity is defined as the maximum variance in temperature across all probes at any point in time over the testing period
- 2 - Stability is defined as the maximum variance in temperature experienced by any single probe over the testing period
- 3 - Temperature performance for all loaded and unloaded door opening protocols, all alarm, controller and probe requirements as defined in the NSF/ANSI 456 standard for vaccine storage
- 4 - Data per Energy Star test results or equivalent testing and calculation. Heat rejection based on daily averages, not continuous operation. Performance exceeds Energy Star requirements.

### Product Data Sheet

Undercounter 4.2 cu. ft. Built-In Vaccine Freezer ADA Left Hinge - Certified to NSF/ANSI 456 Standard for Vaccine Storage

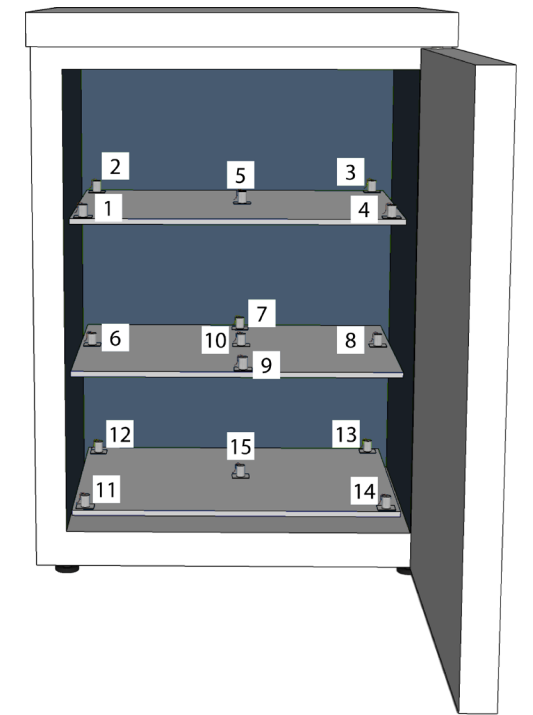
### Certifications



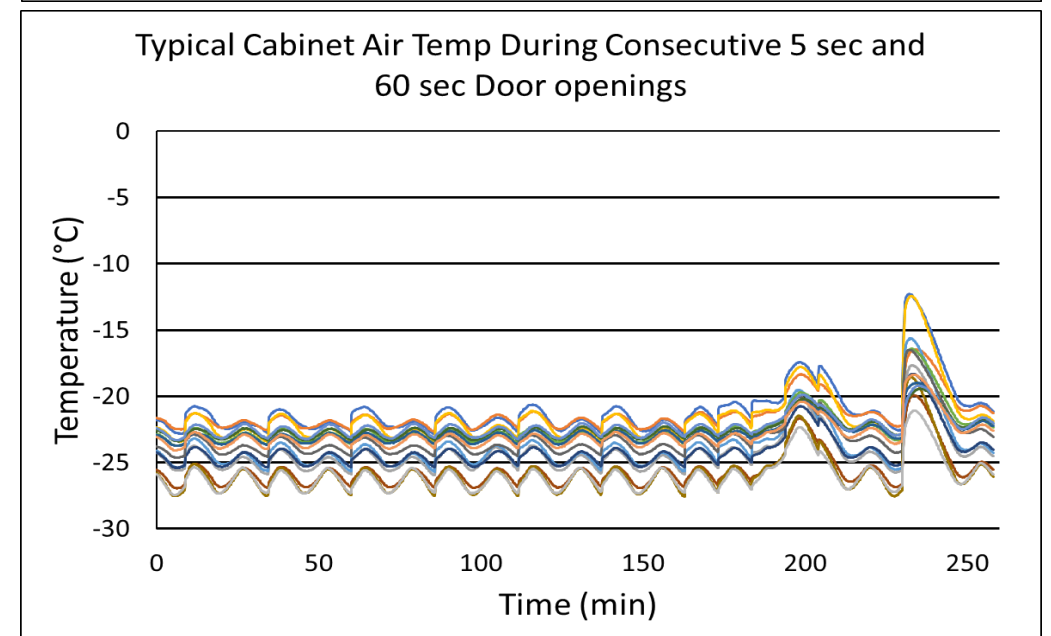
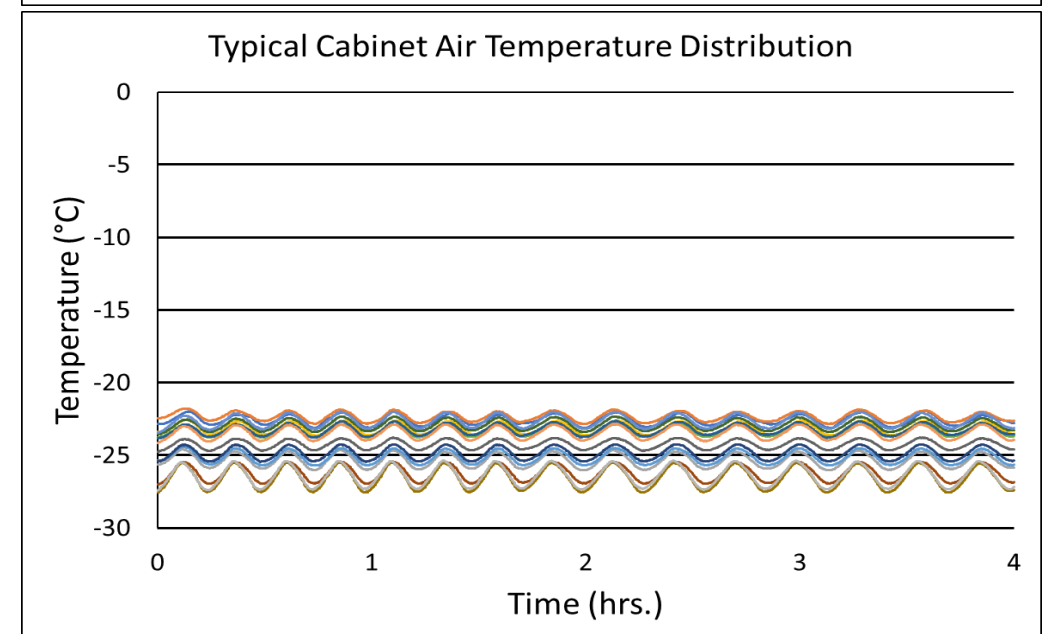
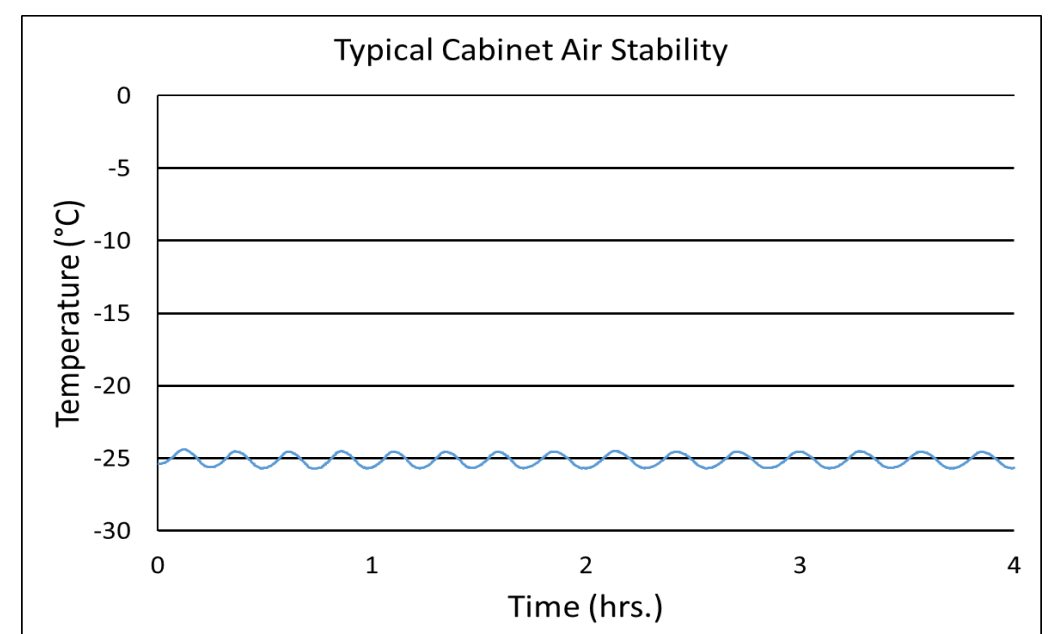
\*-one or more of these certifications may apply to this unit.

### Temperature Probes

| Probe | Ave   | Min   | Max   |
|-------|-------|-------|-------|
| 1     | -22.6 | -23.2 | -22.0 |
| 2     | -22.3 | -22.8 | -21.8 |
| 3     | -25.4 | -26.0 | -24.6 |
| 4     | -23.1 | -23.7 | -22.6 |
| 5     | -25.1 | -25.7 | -24.4 |
| 6     | -23.3 | -23.8 | -22.8 |
| 7     | -24.9 | -25.5 | -24.2 |
| 8     | -26.2 | -27.0 | -25.4 |
| 9     | -24.2 | -24.7 | -23.8 |
| 10    | -26.6 | -27.6 | -25.5 |
| 11    | -23.2 | -23.8 | -22.6 |
| 12    | -22.9 | -23.6 | -22.3 |
| 13    | -22.6 | -23.5 | -22.0 |
| 14    | -23.5 | -24.2 | -22.8 |
| 15    | -26.4 | -27.4 | -25.4 |



### Temperature Charts



**Product Data Sheet**

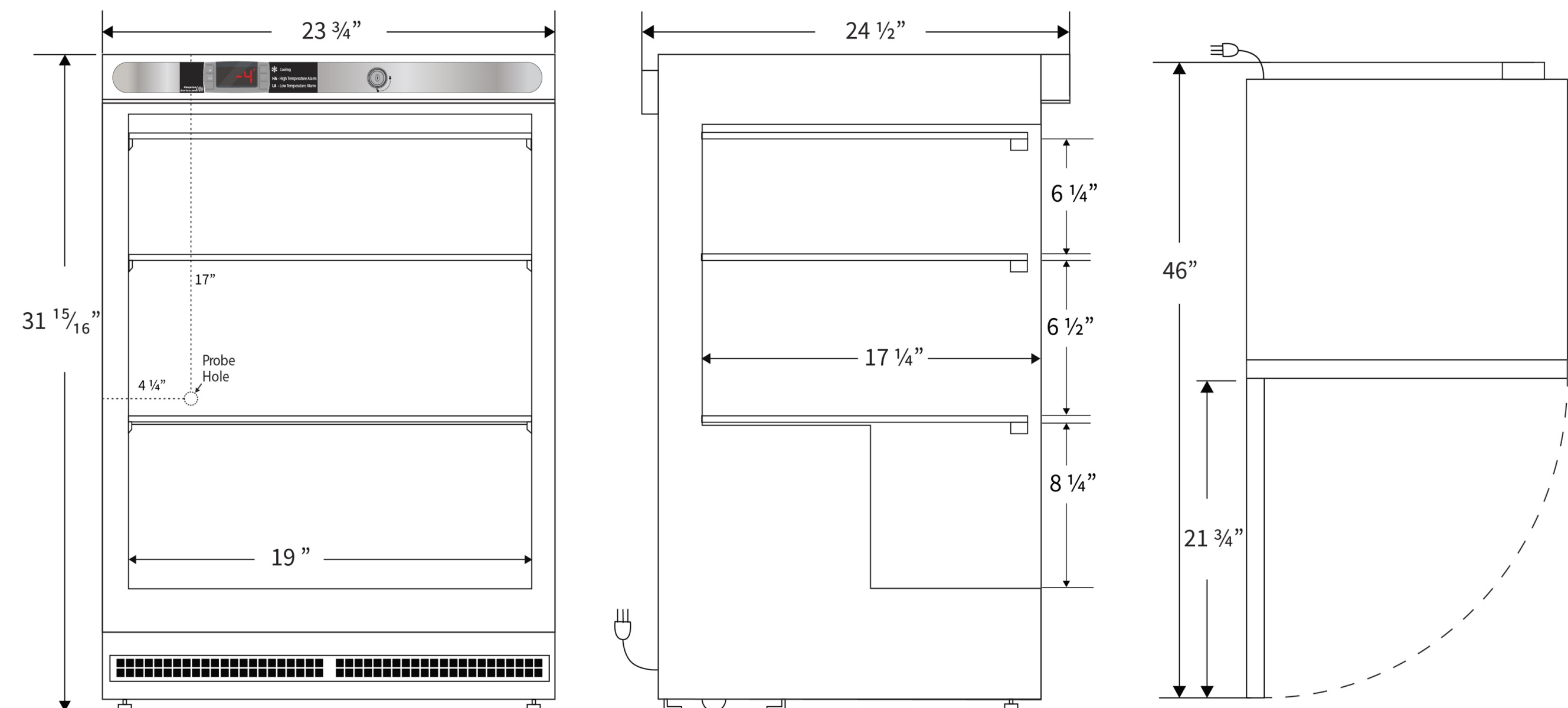
Undercounter 4.2 cu. ft. Built-In Vaccine Freezer ADA Left Hinge - Certified to NSF/ANSI 456 Standard for Vaccine Storage

**Images**



**Dimensions**

|          | Width   | Depth   | Height    | Door Swing | Total open Depth |
|----------|---------|---------|-----------|------------|------------------|
| Exterior | 23 3/4" | 24 1/2" | 31 15/16" | 21 3/4"    | 46"              |
| Interior | 19"     | 17 1/4" | 23 1/2"   |            |                  |



**Contact**

Customer Service  
 Technical Service  
 Rev\_02242022

800-648-4041 Option 3  
 800-648-4041 Option 5, Parts Option 4

[customerservice@horizonscientific.com](mailto:customerservice@horizonscientific.com)  
[technicalservice@horizonscientific.com](mailto:technicalservice@horizonscientific.com)