



# DEFENDER<sup>®</sup> 3000

Hybrid Bench Scales



Counting function is not legal-for-trade

## **Bench Scales for Basic Industrial Applications**

The Defender 3000 Hybrid bench scales are ideal for general weighing, simple counting and checkweighing applications in production, packaging, warehouse, inventory, shipping and receiving areas. The Defender 3000 Series features a simple, yet rugged design and stainless steel indicator with tactile keys, multicolor backlit LCD display, and built-in rechargeable battery.

### **Unique Features:**

- Results are clearly shown using the large, bright backlit LCD display. In Checkweighing mode display changes color (yellow/green/red) to alert when within the target weight range.
- This industrial scale features a 304 stainless steel platform, powder-coated steel tubular frame, column and aluminum load cell. Indicator features a stainless steel housing and mounting bracket.
- Features software for Parts Counting, Checkweighing and Totalization. Includes RS232 with optional second port USB Device or Ethernet for printing or data connectivity.

# DEFENDER® 3000 Hybrid Bench Scales

## Specifications

### Column Mount Bench Scales

Model	i-D33XW15B1R1	i-D33XW30B1R1	i-D33XW75B1R1	i-D33XW75B1L2	i-D33XW150B1L2
Capacity x Default Readability	15 kg x 2 g 30 lb x 0.005 lb 480 oz x 0.1 oz	30 kg x 5 g 60 lb x 0.01 lb 960 x 0.2 oz	75 kg x 10 g 150 lb x 0.02 lb 2,400 oz x 0.5 oz	75 kg x 10 g 150 lb x 0.02 lb 2,400 oz x 0.5 oz	150 kg x 20 g 300 lb x 0.05 lb 4,800 oz x 1 oz
Capacity x Certified/Approved Readability	15 kg x 5 g 30 lb x 0.01 lb 480 oz x 0.2 oz	30 kg x 10 g 60 lb x 0.02 lb 960 oz x 0.5 oz	75 kg x 50 g 150 lb x 0.05 lb 2,400 oz x 1 oz	75 kg x 50 g 150 lb x 0.05 lb 2,400 oz x 1 oz	150 kg x 50 g 300 lb x 0.1 lb
Maximum Displayed Resolution	1:7,500	1:6,000	1:7,500	1:7,500	1:7,500
Linearity/Repeatability	±1d				
Maximum Certified Resolution	1:3,000				
Indicator	304 stainless steel indicator				
Column	330 mm / 13 in powder-coated steel			680 mm / 26.8 in powder-coated steel	
Base Construction	Stainless steel removable weighing platform, powder-coated steel base construction, aluminum loadcell silicon sealed against moisture				
Safe Overload Capacity	150% of maximum capacity				
Stabilization Time	Within 1 second				
Operating Temperature Range	14°F to 104°F / -10°C to 40°C				
Scale Dimensions (A x B x C x D x E x F)	355 x 305 x 122 x 75 x 542 x 489 mm 14 x 12 x 4.8 x 3 x 21.3 x 19.3 in			550 x 420 x 134 x 80 x 896 x 686 mm 21.7 x 16.5 x 5.3 x 3.1 x 35.3 x 27 in	
Shipping Dimensions (L x W x H)	642 x 497 x 212 mm 25.3 x 19.6 x 8.3 in			857 x 564 x 225 mm 33.7 x 22.2 x 8.9 in	
Approx. Net Weight	12.1 kg / 26.8 lb			18.1 kg / 39.9 lb	
Approx. Shipping Weight	15.2 kg / 33.4 lb			22.2 kg / 48.9 lb	

Model	i-D33XW150B1X2	i-D33XW300B1X2	i-D33XW300B1V3	i-D33XW600B1V3
Capacity x Default Readability	150 kg x 20 g 300 lb x 0.05 lb 4,800 oz x 1 oz	300 kg x 50 g 600 lb x 0.1 lb	300 kg x 50 g 600 lb x 0.1 lb	600 kg x 100 g 1,200 lb x 0.2 lb
Capacity x Certified/Approved Readability	150 kg x 50 g 300 lb x 0.1 lb	300 kg x 100 g 600 lb x 0.2 lb	300 kg x 100 g 600 lb x 0.2 lb	600 kg x 200 g 1,200 lb x 0.5 lb
Maximum Displayed Resolution	1:7,500	1:6,000	1:6,000	1:6,000
Linearity/Repeatability	±1d			
Maximum Certified Resolution	1:3,000			
Indicator	304 stainless steel indicator			
Column	680 mm / 26.8 in powder-coated steel		980 mm / 38.6 in powder-coated steel	
Base Construction	Stainless steel removable weighing platform, powder-coated steel base construction, aluminum loadcell silicon sealed against moisture			
Safe Overload Capacity	150% of maximum capacity			
Stabilization Time	Within 1 second			
Operating Temperature Range	14°F to 104°F / -10°C to 40°C			
Scale Dimensions (A x B x C x D x E x F)	650 x 500 x 150 x 90 x 896 x 785 mm 25.6 x 19.7 x 5.9 x 3.5 x 35.3 x 30.9 in		800 x 600 x 155 x 90 x 1,195 x 933 31.5 x 23.6 x 6.1 x 3.5 x 47 x 36.7 in	
Shipping Dimensions (L x W x H)	1,022 x 687 x 247 mm 40.2 x 27 x 9.7 in		1,175 x 790 x 245 mm 46.3 x 31.1 x 9.4 in	
Approx. Net Weight	28.3 kg / 62.3 lb		46.7 kg / 103 lb	
Approx. Shipping Weight	32.8 kg / 72.2 lb		51.7 kg / 113.9 lb	

# DEFENDER<sup>®</sup> 3000 Hybrid Bench Scales

## Specifications

### Front Mount Bench Scales

Model	i-D33XW15B1R5	i-D33XW30B1R5	i-D33XW75B1R5	i-D33XW75B1L5
Capacity x Default Readability	15 kg x 2 g 30 lb x 0.005 lb 480 oz x 0.1 oz	30 kg x 5 g 60 lb x 0.01 lb 960 x 0.2 oz	75 kg x 10 g 150 lb x 0.02 lb 2,400 oz x 0.5 oz	75 kg x 10 g 150 lb x 0.02 lb 2,400 oz x 0.5 oz
Capacity x Certified/Approved Readability	15 kg x 5 g 30 lb x 0.01 lb 480 oz x 0.2 oz	30 kg x 10 g 60 lb x 0.02 lb 960 oz x 0.5 oz	75 kg x 50 g 150 lb x 0.05 lb 2,400 oz x 1 oz	75 kg x 50 g 150 lb x 0.05 lb 2,400 oz x 1 oz
Maximum Displayed Resolution	1:7,500	1:6,000	1:7,500	1:7,500
Linearity/Repeatability	±1d			
Maximum Certified Resolution	1:3,000			
Indicator	304 stainless steel indicator			
Mount	304 stainless steel front-mount bracket with handle			
Base Construction	Stainless steel removable weighing platform, powder-coated steel base construction, aluminum loadcell silicon sealed against moisture			
Safe Overload Capacity	150% of maximum capacity			
Stabilization Time	Within 1 second			
Operating Temperature Range	14°F to 104°F / -10°C to 40°C			
Scale Dimensions (A x B x C x D x E x F)	355 x 305 x 122 x 75 x 130 x 646 mm 14 x 12 x 4.8 x 3 x 5.1 x 25.4 in			550 x 420 x 134 x 80 x 133 x 842 mm 21.7 x 16.5 x 5.3 x 3.1 x 5.2 x 33.1 in
Shipping Dimensions (L x W x H)	857 x 564 x 225 mm 33.7 x 22.2 x 8.9 in			1,022 x 687 x 247 mm 40.2 x 27 x 9.7 in
Approx. Net Weight	11.4 kg / 25.1 lb			17.3 kg / 38.1 lb
Approx. Shipping Weight	13.7 kg / 30.3 lb			21.3 kg / 47 lb

Model	i-D33XW150B1L5	i-D33XW150B1X5	i-D33XW300B1X5
Capacity x Default Readability	150 kg x 20 g 300 lb x 0.05 lb 4,800 oz x 1 oz	150 kg x 20 g 300 lb x 0.05 lb 4,800 oz x 1 oz	300 kg x 50 g 600 lb x 0.1 lb
Capacity x Certified/Approved Readability	150 kg x 50 g 300 lb x 0.1 lb	150 kg x 50 g 300 lb x 0.1 lb	300 kg x 100 g 600 lb x 0.2 lb
Maximum Displayed Resolution	1:7,500	1:7,500	1:6,000
Linearity/Repeatability	±1d		
Maximum Certified Resolution	1:3,000		
Indicator	304 stainless steel indicator		
Mount	304 stainless steel front-mount bracket with handle		
Base Construction	Stainless steel removable weighing platform, powder-coated steel base construction, aluminum loadcell silicon sealed against moisture		
Safe Overload Capacity	150% of maximum capacity		
Stabilization Time	Within 1 second		
Operating Temperature Range	14°F to 104°F / -10°C to 40°C		
Scale Dimensions (A x B x C x D x E x F)	550 x 420 x 134 x 80 x 133 x 842 mm 21.7 x 16.5 x 5.3 x 3.1 x 5.2 x 33.1 in	650 x 500 x 150 x 90 x 133 x 941 mm 25.6 x 19.7 x 5.9 x 3.5 x 5.2 x 37 in	
Shipping Dimensions (L x W x H)	1,022 x 687 x 247 mm 40.2 x 27 x 9.7 in	1,022 x 687 x 247 mm 40.2 x 27 x 9.7 in	
Approx. Net Weight	17.3 kg / 38.1 lb	27.4 kg / 60.5 lb	
Approx. Shipping Weight	21.3 kg / 47 lb	30.9 kg / 68.2 lb	

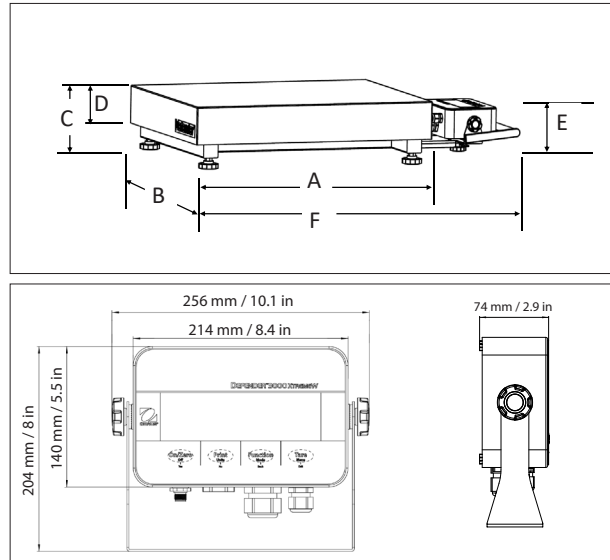
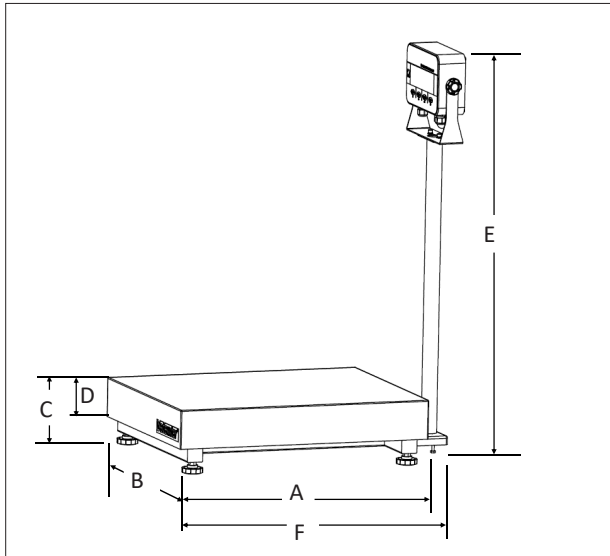
# DEFENDER® 3000 Hybrid Bench Scales

## Specifications

### Indicator

Model	i-DT33XW
Construction	304 stainless steel housing and mounting bracket
Weighing Units	Kilogram, Gram, Pound, Ounce, Pound: Ounce
Application Modes	Weighing, Parts Counting, Checkweighing and Totalization
Display	6-digit, 7-segment LCD display with multi-color backlight, 45 mm / 1.8 in high digits
Check Indicator	3 color (red, green, yellow) backlight
Keyboard	4 membrane function keys
Auto-zero Tracking	Off, 0.5 d, 1 d or 3 d
Zeroing Range	2% or 100% of capacity
Interface	RS232 included Optional second port USB Device or Ethernet
Power	100-240 VAC / 50/60 Hz Universal Power Supply, hardwired or standard internal rechargeable battery
Battery Life	Up to 100 hours continuous use with backlight off
Calibration	Zero, Span or 3 point-Linear

## Outline Dimensions



## Compliance

- **Metrology:** NTEP (Indicator: CC 21-070, Platforms: CC 21-075); Measurement Canada (Indicator: NoA AM-6183, Platforms: NoA AM-6180) Class III
- **Product Safety:** UL61010-1; CAN/CSA C22.2 61010-1; IEC/EN 61010-1
- **Electromagnetic Compatibility:** FCC Part 15 Class A; Canada ICES-003 Class A; IEC/EN 61326-1 Class B, basic environments
- **Ingress Protection:** IEC 60529 – IP66 (for indicator), IEC 60529 – IP65 (for load cell)
- **Compliance Marks:** CSA, CE
- **Other:** WEEE, RoHS

## Accessories

Ethernet Kit.....	30429666
USB Device Kit i-DT33 .....	30699120
Dust Cover (5) i-DT33 .....	30699121
Wheel Kit, Defender Series.....	30372146
Wheel Kit SST Defender Series .....	30616409
Carrying Handle Kit SST i-DT33 .....	30696600
SF40A Printer .....	30064202
Cable RS232 i-DT33XW .....	80500552

## OHAUS CORPORATION

7 Campus Drive  
Suite 310  
Parsippany, NJ 07054 USA

Tel: 800.672.7722  
973.377.9000

Fax: 973.944.7177

[www.ohaus.com](http://www.ohaus.com)

The management system  
governing the manufacture  
of this product is  
ISO 9001:2015 certified.

