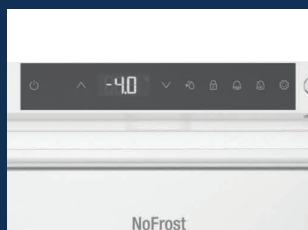
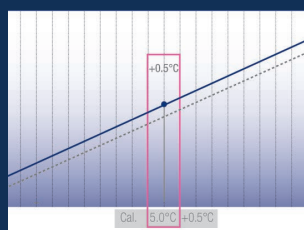


LRB05W1HC

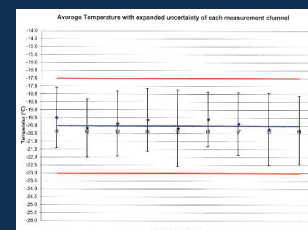
Undercounter Laboratory Refrigerator with Electronic Controls



Electronic controls
The precision electronic control with digital temperature display enables temperatures to be set accurately between -9°C to -26°C (16°F to -15°F). The electronic control is flush-mounted and equipped with a membrane keyboard for optimal hygiene.



Accurate 1-point calibration
The laboratory appliances with electronic controls have a 1-point calibration function for extremely accurate temperature control. This allows compensations between the set temperature and the actual interior temperature. The correction value can be adjusted in increments of 0.1 K .



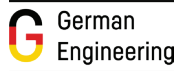
Maximum temperature consistency
Maximum temperature consistency is ensured by the cooling systems of the laboratory refrigerators and freezers, in conjunction with precision electronic controls. All laboratory appliances with electronic controls are designed according to the EN 60068-3 standard with regard to maximum temperature stability and consistency.

LIEBHERR

LRB05W1HC

Mediline

Undercounter Laboratory Refrigerator Solid-door



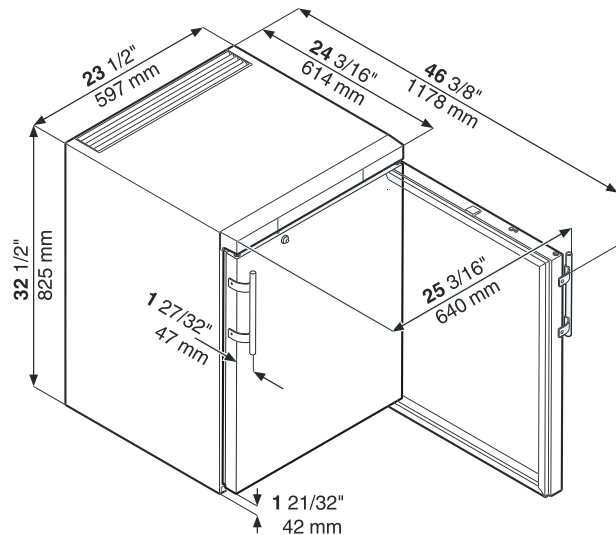
home.liebherr.com



LRB05W1HC

Total gross/net capacity l (cu.ft.)	142/133 (5.0/4.7)
Exterior dimensions in mm (w/d/h) in inches (w/d/h)	601/618/825 23 11/16"/24 3/8"/32 1/2"
Interior dimensions in mm (w/d/h) in inches (w/d/h)	440/435/670 17 3/8"/17 3/16"/26 7/16"
Energy Consumption (kWh/day) *	261
EnergyStar rated	No
Ambient temperature in °C (°F)	10°C to 35°C (50°F to 95°F)
Refrigerant	R600a
Sound rating**	52 dB(A)
Connection rating	1.5 A
Frequency/voltage	60 Hz/115V~
Cooling system/Defrost	Forced-air/automatic
Temperature range in °C (°F)	3°C to 16°C (37°F to 61°F)
External cabinet finish	Steel/white
Door/lid material	Steel
Internal liner material	Commercial grade molded polystyrol
Type of control	Electronic control
Temperature display	External digital
Alarm	Visual, audible
Alarm forwarding	Yes
Interior Light	LED ceiling light
Adjustable shelves	3
Shelf material	Wire shelves plastic-coated
Shelf load weight in kg (lbs)	45 (99.2)
Usable Shelf Area in mm (inches)	440/420 (17 3/8"/16 9/16")
Casters	-
Handle	Slimline handle with integrated opening mechanism
Lock	Recessed
Self-closing door	Yes
Door Hinges	Right, reversible on site
Insulation in mm (inches)	40 (1 5/8")
Gross/net weight in Kg (lbs)	39/37 (86/81.6)

Unit Dimensions



Accessories

Shelf, plastic-coated	7112313
Roller bar	959254300
Stacking kit	959269700

* Measured unloaded at 26.6°C (80°F) ambient temperature with set point of 3.3°C (38°F).

** Noise level – sound power re 1pW – according to IEC 60704-2-14.

LIEBHERR