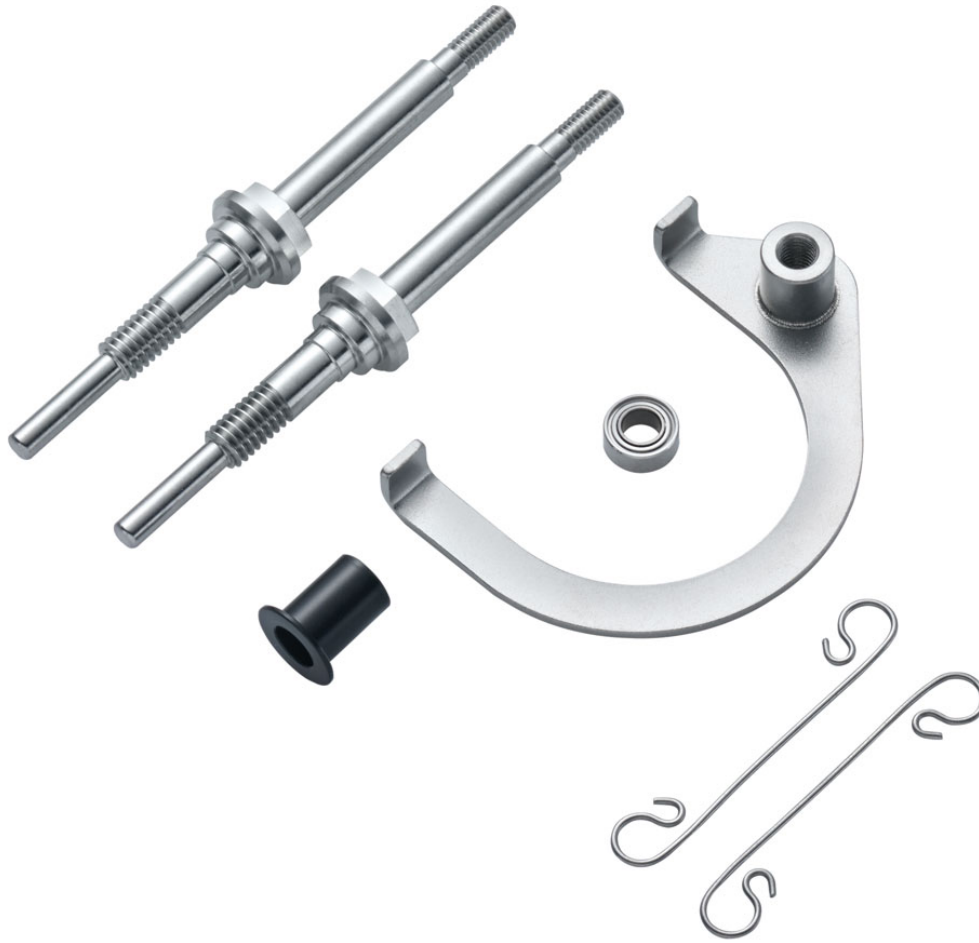




designed for scientists



C 1.101 Set of spare parts

/// Data Sheet

Set of spare parts recommended for C 1 with C 1.10 combustion chamber. Contains o-rings, electrodes, nuts and kanthal ignition wires for up to 1000 experiments or more. The actual number of tests can vary based on the composition of the samples.



designed for scientists

Technical Data

Weight [kg]	0.0785
Permissible ambient temperature [°C]	5 - 40

