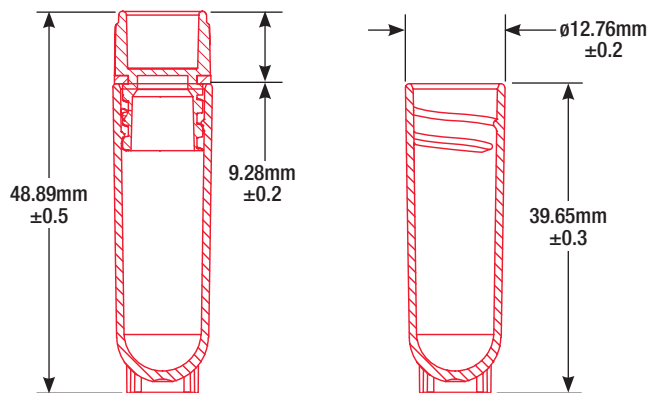


## 2mL RingSeal™ Cryogenic Vial, Internal Thread, Round Bottom, Self-Standing, Sterile

Item# 3034-2



### Description

RingSeal™ Cryogenic Vials are an excellent choice for long-term sample storage. Built with reliable o-ring seals, this exceptional range offers multiple variants to meet diverse research needs.

Globe Scientific's RingSeal™ Cryogenic Vials are available in both internal and external thread options, as well as self-standing and round bottom formats, and are offered in the most popular volumes.

### Features

- Internal threaded vial
- Round bottom, self-standing
- Reliable o-ring seal
- Printed graduations and writing area
- Certified leakproof to 90kPa
- Certified RNase free, DNase free, Pyrogen free
- Autoclavable

### Packaging:

- 500/case

### Products

Item #	Description	Unit
3034-2	2.0mL, STERILE, internal threads, attached screwcap, round bottom, self-standing, printed graduations, writing space	500

### Technical Specifications

Nominal Volume: 2.0mL  
 Working Volume: 1.8mL  
 Thread Type: Internal  
 Material: Virgin Polypropylene  
 Sterility: Gamma sterilized to SAL10<sup>-6</sup>  
 Temperature Range: -196°C to +121°C  
 Certified: RNase free, DNase free, Pyrogen free  
 Autoclavable: 121°C for 15 minutes  
 (with cap loosened or removed)