

ASEPTIQUIK® S SERIES CONNECTORS



AseptiQuik® S Small Format Connectors provide quick and easy sterile connections for small-flow applications, even in non-sterile environments. The “FLIP-CLICK-PULL” design of AseptiQuik S enables users to quickly transfer small volumes of media easily with less risk of operator error. The connector’s genderless and robust design provides reliable performance without the need for clamps, fixtures or tube welders. Biopharmaceutical manufacturers can now make 1/8”, 1/4” and 3/8” hose barb and 1/4” and 3/4” sanitary sterile connections with the quality and market availability they expect from the leader in single-use connection technology.

FEATURES

- Genderless design
- Robust construction
- FLIP-CLICK-PULL
- Integrated pull tab covers
- CPC Click
- 1/4 sanitary termination with straight bore

BENEFITS

- Eases integration of single-use systems with one part number for both halves
- Repeatable and reliable performance with no additional hardware required
- Innovative three-step connection process reduces risk of operator error
- Pull tabs act as protective cover reducing part complexity and ensure simultaneous removal of both membranes
- Audible confirmation of assembly
- Minimizes transitional flow disruptions throughout upstream processing

Specifications ● ● ●

PRESSURE:

Up to 60 psi, 4.1 bar

TEMPERATURE:

39°F to 104°F (4°C to 40°C)

STERILIZATION:

Gamma: Up to 50kGy irradiation

Autoclave High Temp (HT) Version:

Up to 266°F (130°C) for 60 minutes

TERMINATION SIZES:

1/8”, 1/4” and 3/8” ID hose barb (3.2mm, 6.4mm and 9.5mm), 1/4” and 3/4” sanitary and MPC insert

MATERIALS:

Main Components:

Polycarbonate (white), USP Class VI, ADCF

Pull Tabs/Caps:

Polycarbonate (blue, standard version), USP Class VI, ADCF

Polycarbonate (white, HT version), USP Class VI, ADCF

Polycarbonate (white, HT version), USP Class VI, ADCF

Seals:

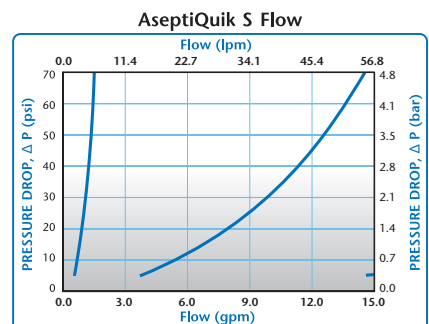
Silicone (clear), platinum-cured, USP Class VI, ADCF

Membrane:

Polyethylene (standard version), USP Class VI, ADCF

Hydrophobic polyethersulfone (HT version), USP Class VI, ADCF, PTFE strip sticker

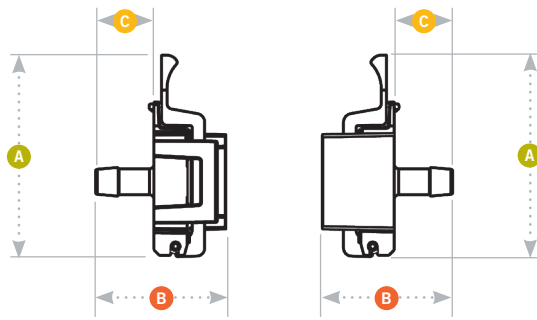
⚠ This graph is intended to give you a general idea of the performance capabilities of each product line. The shaded area of the graph represents the operating range of the product family, i.e. upper and lower values are shown. Therefore, depending on the exact coupling configurations selected, you can reasonably expect values to fall within the shaded area.



Visit us at cpcworldwide.com or call 800-519-7633 to get a free catalog or to find your local distributor.

ASEPTIQUIK® S SERIES DIMENSIONS

- A** = Height/Diameter
- B** = Total Length
- C** = Hose Barb Length



Coupling Bodies

• POLYCARBONATE with Blue Pull Tabs



TERMINATION
 1/8" HOSE BARB
 1/4" HOSE BARB
 1/4" SANITARY
 3/8" HOSE BARB
 3/4" SANITARY
 MPC INSERT

PART NO.
 AQS17002
 AQS17004
 AQS33004
 AQS17006
 AQS33012
 AQS17MPC

A
 2.25
 2.25
 2.25
 2.25
 2.25
 2.25

B
 1.30
 1.45
 1.50
 1.45
 1.60
 1.49

C
 0.50
 0.65
 0.70
 0.65
 0.80
 0.69

• POLYCARBONATE HT with White Pull Tabs



TERMINATION
 1/8" HOSE BARB
 1/4" HOSE BARB
 1/4" SANITARY
 3/8" HOSE BARB
 3/4" SANITARY
 MPC INSERT

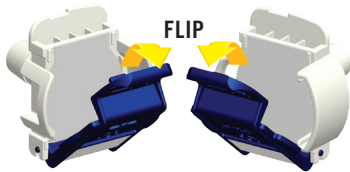
PART NO.
 AQS17002HT
 AQS17004HT
 AQS33004HT
 AQS17006HT
 AQS33012HT
 AQS17MPCHT

A
 2.25
 2.25
 2.25
 2.25
 2.25
 2.25

B
 1.30
 1.45
 1.50
 1.45
 1.60
 1.49

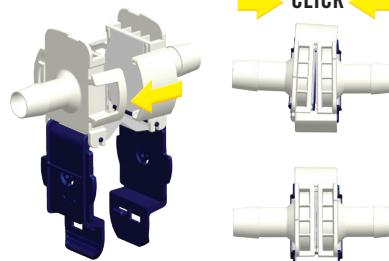
C
 0.50
 0.65
 0.70
 0.65
 0.80
 0.69

Flip-Click-Pull Assembly Procedure



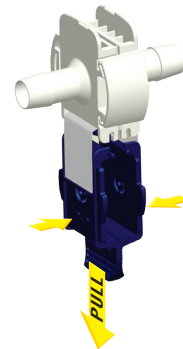
1

Unsnap and flip down the protective pull tab covers on each connector half.



2

Align the connector halves with the pull tabs hanging down. Slide the two halves together. Independently squeeze each side of the connector until you hear an audible "CPC Click."



3

To complete the connection, simply snap the pull tabs together by pushing on the CPC logos and pull the membranes from the connector.



COLDER PRODUCTS COMPANY
 U.S.A.

PHONE +1 651-645-0091
 FAX +1 651-645-5404
 TOLL FREE 800-519-7633

COLDER PRODUCTS COMPANY GMBH
 Germany

PHONE +49-6026-9973-0
 FAX +49-6026-9973-173

COLDER PRODUCTS COMPANY LIMITED
 Hong Kong S.A.R. of China

PHONE +852-2987-5272
 FAX +852-2987-2509

Confidence at every point of connection.

cpcworldwide.com/ContactUs

WARRANTY: All sales are subject to Colder Products Company's limited express warranty set forth in the CPC catalog. Contact your local distributor or CPC Customer Service for warranty provisions.

Warning: Due to the wide variety of possible fluid media and operating conditions, unintended consequences may result from the use of this product, all of which are beyond the control of CPC. It is the user's responsibility to carefully determine and test for compatibility for use with their application. All such risks shall be assumed by the buyer.

COPYRIGHT © 2019 BY COLDER PRODUCTS COMPANY. COLDER PRODUCTS COMPANY, COLDER PRODUCTS AND CPC ARE REGISTERED TRADEMARKS WITH THE US PATENT & TRADEMARK OFFICE.

SPEC1031 10/19 GLS/500 PRINTED IN THE U.S.A.