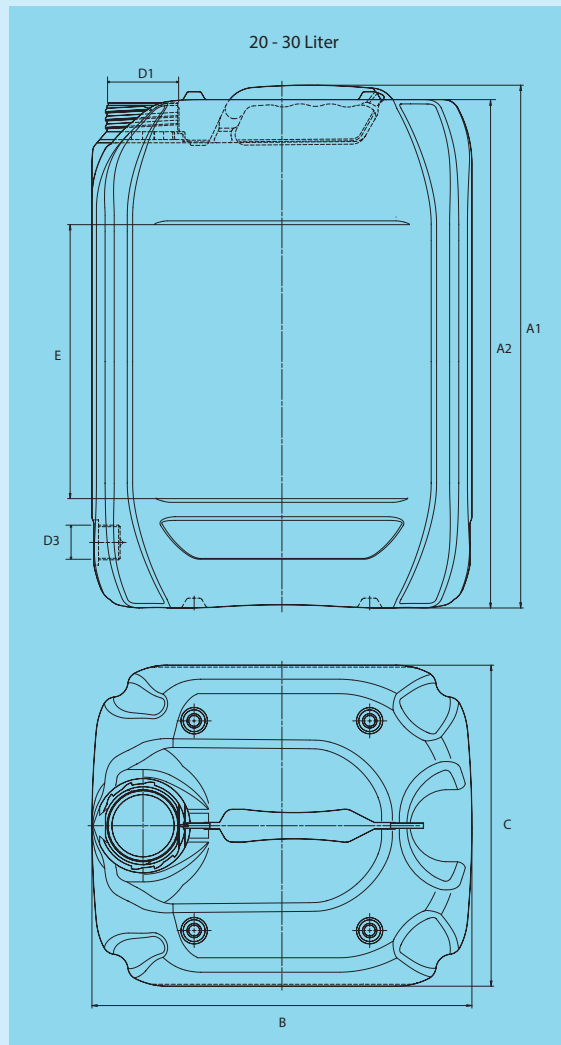
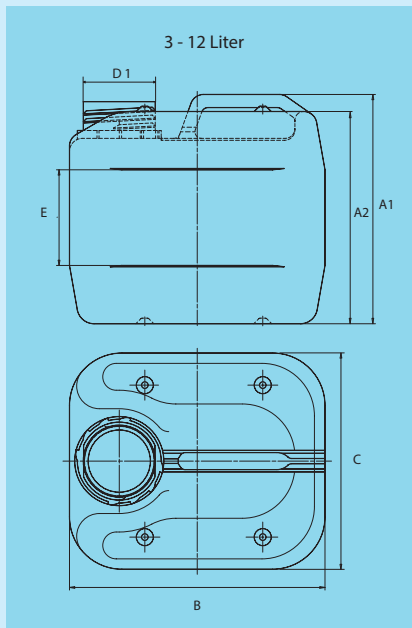


Dynalon MultiCan®

Technical data

All dimensions and technical data are given as averages that correspond to the current status at the time of going to press.

Subject to change without prior notice.



A 1 = overall height
A 2 = stack height
B/C = base area

D 1 = outlet diameter
D 3 = thread for drum taps

Labelling zone / printing surface
E = height

Dimensions in mm

Liters	A1	A2	B	C	D1	D3	E
3	171	158	194	164	45/51/61		72
5	229	216	194	164	45/51/61		133
6	269	256	194	164	45/51/61		172
10	311	300	232	192	45/51/61		186
12	376	365	232	192	45/51/61		251
20	399	388	290	245	61/95	3/4"	209
25	471	460	290	245	61/95	3/4"	281
30	543	532	290	245	61/95	3/4"	353