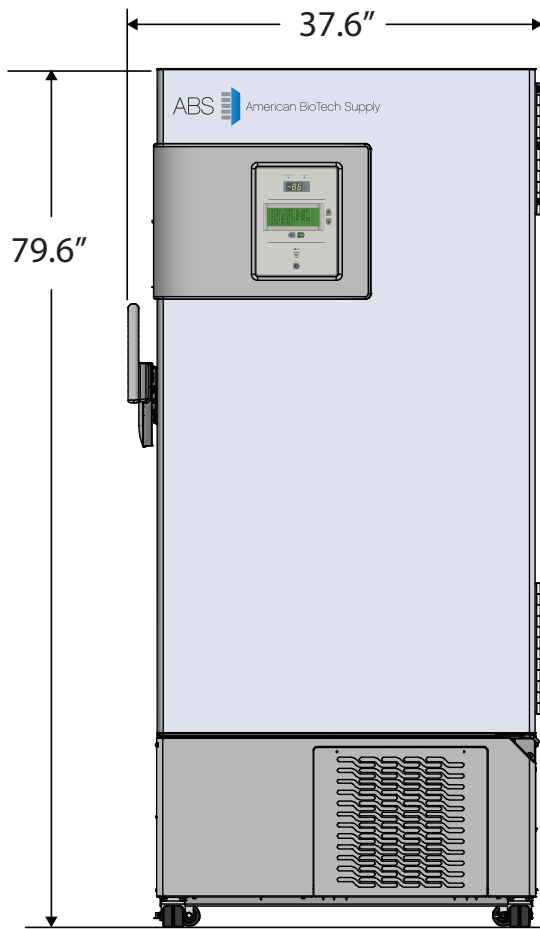
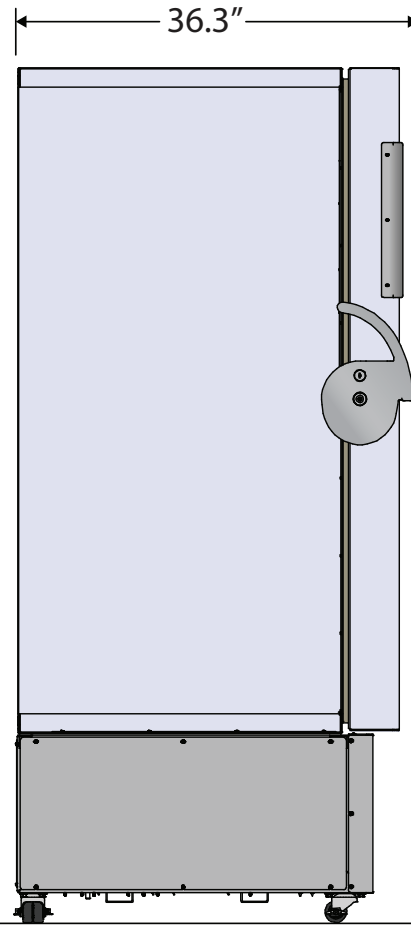


CUTSHEET

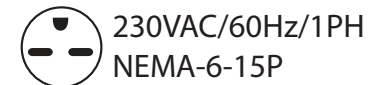
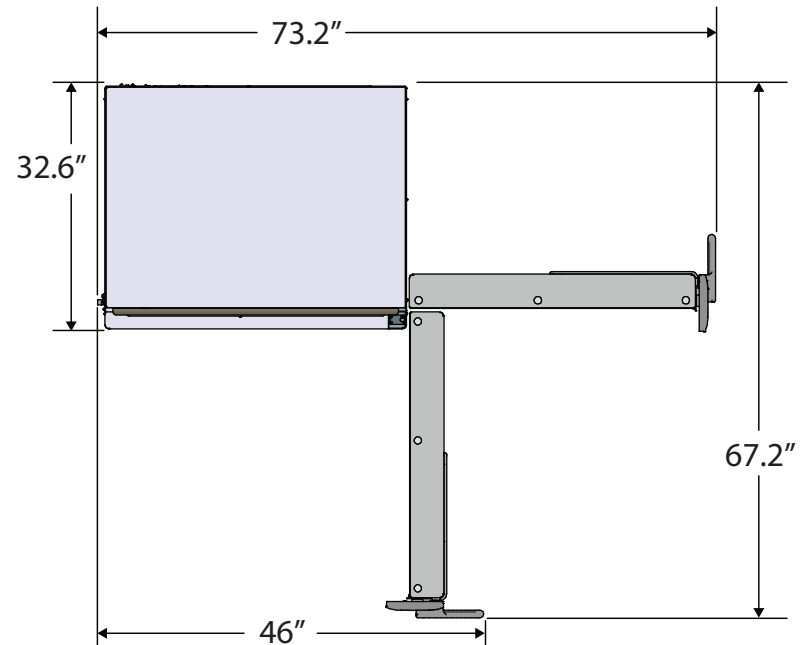
Front View



Side View



Top View



Cu. Ft	Defrost	Door	Int Door	Shelves	W"	D"	H"	H.P.	Amps	Weight
17	Manual	1 Solid	5	4 Fixed	37.6	36.3	79.6	½ x ½	10	625 lbs.