



More information on the website
radwag.com/en/info,w1,68V

AS 120.X2 PLUS Analytical Balance



AS 120.X2 PLUS Analytical Balance

Functions



Autotest



Dosing



Percent Weighing



Parts counting



Peak hold



Formulation



Newton unit
measurement



Statistics



Checkweighing



IR sensors



GLP Procedures



Animal weighing



Density determination



Ambient conditions
monitoring



Replaceable unit



Statistical Quality Control



ALIBI Memory



Mass for titrator



Wi-Fi

Datasheet

AS 120.X2 PLUS Analytical Balance	
Metrological parameters	
Maximum capacity [Max]	120 g
Minimum load	1 mg
Readability [d]	0,01 mg
Verification scale interval [e]	1 mg
Tare range	-120 g
Standard repeatability [5% Max]	0,01 mg
Standard repeatability [Max]	0,025 mg
Standard minimum weight (USP)	20 mg
Standard minimum weight (U=1%, k=2)	2 mg
Permissible repeatability [5% Max]	0,02 mg
Permissible repeatability [Max]	0,04 mg
Linearity	±0,07 mg
Stabilization time	2 s
Adjustment	internal (automatic)
OIML Class	I
Physical parameters	
Levelling system	manual
Display	–
Delivery components	Balance, weighing pan, weighing pan shield, centring ring, bottom cover, power supply, fabric dust cover .
Weighing chamber dimensions	190×190×222 mm
Weighing pan dimensions	ø90 + ø85 (option) mm
Packaging dimensions	495×400×515 mm
Net weight	7,3 kg
Gross weight	9,3 kg
Features of use	
Database capacity	7
Touch-free operation	2 IR Sensors
Communication interface	
Communication interface	RS232 ¹ , 2×USB-A (interchangeable), USB-B, Wi-Fi, Ethernet
Electrical parameters	
Power supply	Adapter: 100-240V AC 50/60Hz 0,6A; 12V DC 1,2A Balance: 12 – 15V DC 0,8A max
Power consumption max.	4 W
Environmental conditions	
Operating temperature	+10 ÷ +40 °C
Relative humidity	40% ÷ 80%

Repeatability is expressed as a standard deviation from 10 weighing cycles. Stabilization time depends on the ambient conditions and the dynamics of weighing pan loading; specified for FAST profile. 1 Barcode scanners, available as weighing instrument accessory, communicate with the instrument via RS232 interface exclusively.

* Wi-Fi® is a registered trademark of Wi-Fi® Alliance.



Accessories

Antivibration Tables
Holders for laboratory flasks
Barcode scanners
Cigarette lighter receptacle power supply cables
Density determination KIT
USB cable (scale - printer)
Receipt Printer
Professional weighing table

Holders for test tubes and filters
Workstation for Pipettes Calibration
Displays
Protective cover for balances
Antistatic ionizer
RS 232, RS 485 cables
Under-Pan Weighing Rack
RS 232 cables (scale - printer)

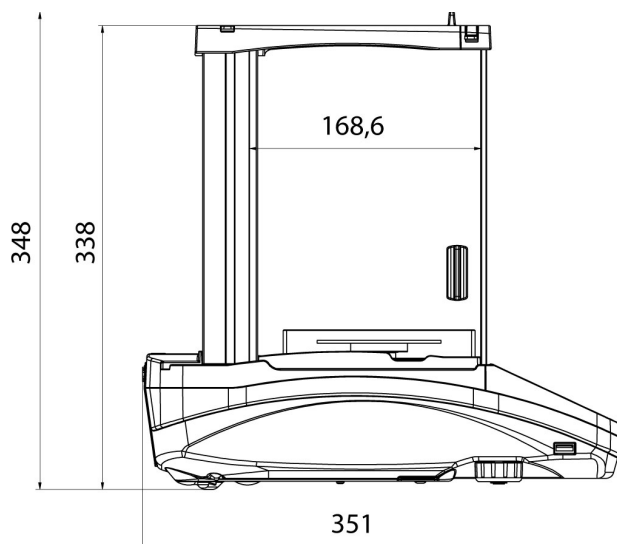
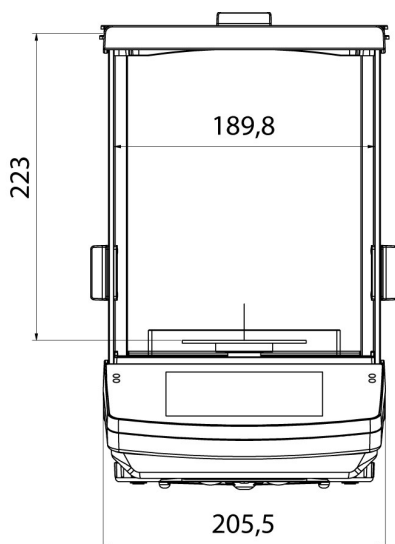
Software

RAD-KEY
Alibi Reader
RADWAG Development Studio
R.Barcode

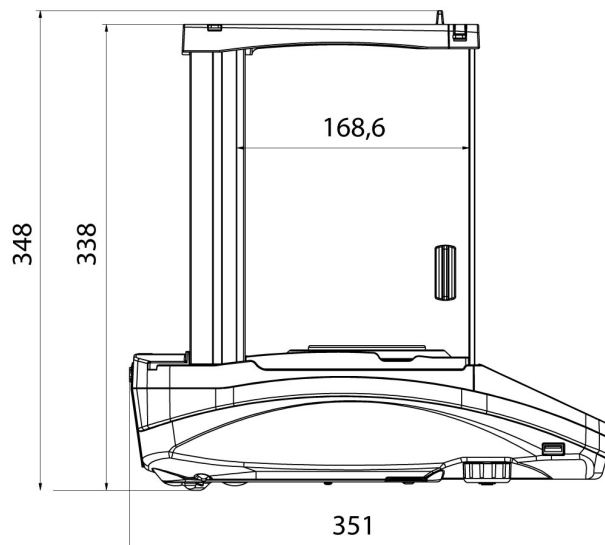
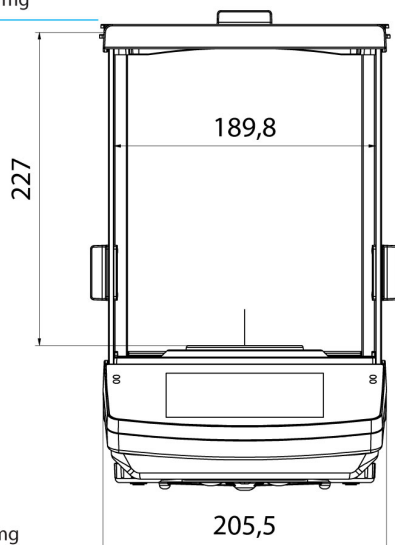
LabVIEW Driver
R-LAB
E2R System

Device dimensions

AS 120.X2 PLUS Analytical Balance



AS X2 PLUS, d = 0.01 mg



AS X2 PLUS, d = 0.1 mg