

EXM-150 Series
Monocular Microscope



ACCU-SCOPE®

MICROSCOPY & IMAGING SOLUTIONS



Empowering Discovery. Advancing Results.



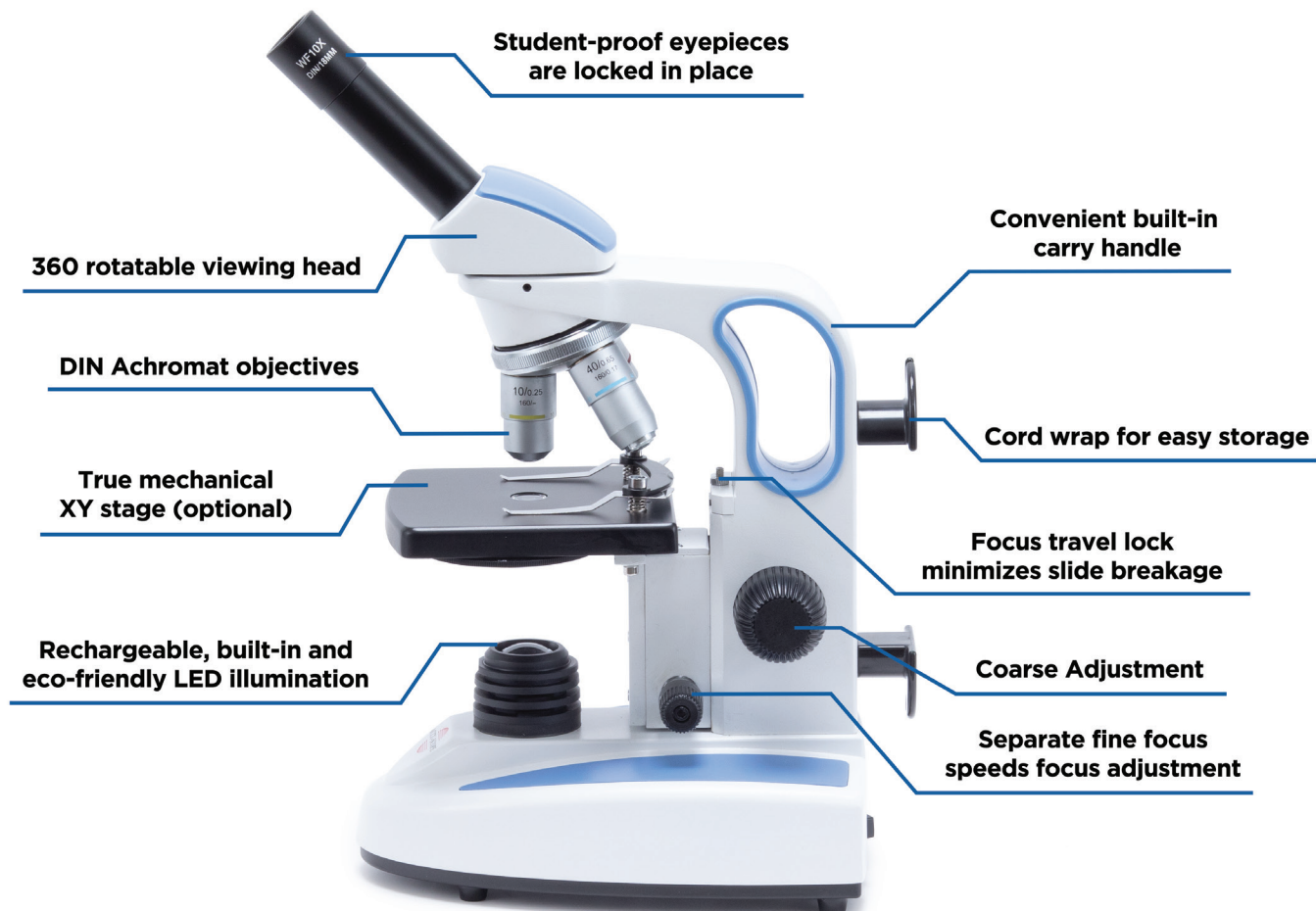
The ACCU-SCOPE EXM-150 series monocular microscopes are easy to use and student friendly. Highly portable with a built-in carry handle, cord wrap, and rechargeable LED illumination, the EXM-150 microscope is available in a variety of configurations tailored to meet your needs.

MODEL	STAGE	CONDENSER	TEACHING HEAD	100X OIL IMMERSION OBJECTIVE
EXM-150	Clips	Disc	-	N/A
EXM-150-T	Clips	Disc	Inclined	N/A
EXM-150-VT	Clips	Disc	Vertical	N/A
EXM-150-I	Clips	Iris	-	N/A
EXM-150-IT	Clips	Iris	Inclined	N/A
EXM-150-IVT	Clips	Iris	Vertical	N/A
EXM-150-MS	X-Y Mechanical	Iris	-	N/A
EXM-150-MST	X-Y Mechanical	Iris	Inclined	N/A
EXM-150-MSVT	X-Y Mechanical	Iris	Vertical	N/A
EXM-151	X-Y Mechanical	Abbe	-	Yes
EXM-151-T	X-Y Mechanical	Abbe	Inclined	Yes
EXM-151-VT	X-Y Mechanical	Abbe	Vertical	Yes

Available with monocular, dual-inclined or vertical teaching heads



Select either 5-aperture disc, adjustable iris diaphragm, or Abbe condenser options for your convenience and performance.

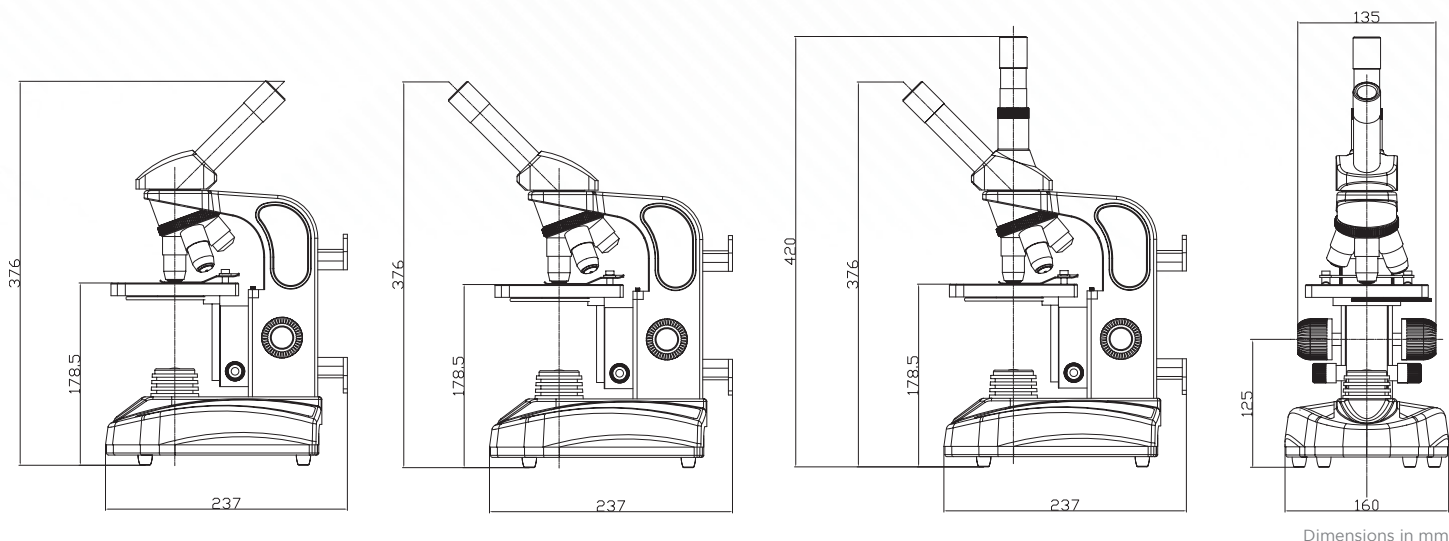


EXM-150 Monocular Microscope

SPECIFICATIONS

Viewing Head	Monocular, dual inclined or inclined/vertical teaching head, inclined 45°; rotatable 360°
Observation Method	DIN Optical System, f = 160mm
Objectives	Standard configuration includes DIN Achromat 4x, 10x, and 40xR* objectives; EXM-151 models also include a 100xR* oil immersion objective (*spring-loaded)
Eyepieces	WF10x eyepieces, 18mm field of view with pointer; eyepieces are locked-in to prevent classroom tampering
Nosepiece	Rear facing three-hole, ball-bearing nosepiece with positive click stops to ensure parcentration; a quadruple nosepiece is provided on the EXM-151 models
Focusing System	Separate coarse and fine focus adjustment controls; a tension adjustment is on the coarse control; a built-in slip clutch system and pre-set focus stop prevents accidental damage to objectives and slides
Stage	119mm x 119mm with stage clips, or factory-installed double-plate mechanical stage with low position controls and iris diaphragm
Condenser	N.A. 0.65 condenser with five aperture disc or iris diaphragm depending on the model; an N.A. 1.25 Abbe condenser with iris diaphragm on a spiral mount is supplied on all EXM-151 models
Illumination	Variable and rechargeable LED illuminator; LED illuminators last approximately 4 hours on a single charge and the expected bulb life is 20,000 hours; three AA 1300mAh 1.2v NiMH (Nickel Metal Hydride) rechargeable batteries included
Stand	Cast aluminum alloy with built-in carry handle and cord hanger
Power	Universal power supply (built-in), input 90-240VAC; built-in 4.5V/1000A charger for NiMH batteries
Accessories	Dust cover, instruction manual included
Optional Accessories	Viewing Heads: dual inclined or inclined/vertical teaching head Eyepieces: 20x/12mm Objectives: 20x, 60xR*, 100xR* oil (*spring-loaded)
Warranty	5 year limited warranty for parts, labor and electronic components. 1 year warranty on LED bulb

EXM-150 Dimensional Drawing



Copyright © 2022 ACCU-SCOPE Inc. All rights reserved. Printed in the U.S.A.
ACCU-SCOPE Inc. reserves the right to change and improve specifications without notice due to technological or manufacturing advances.

