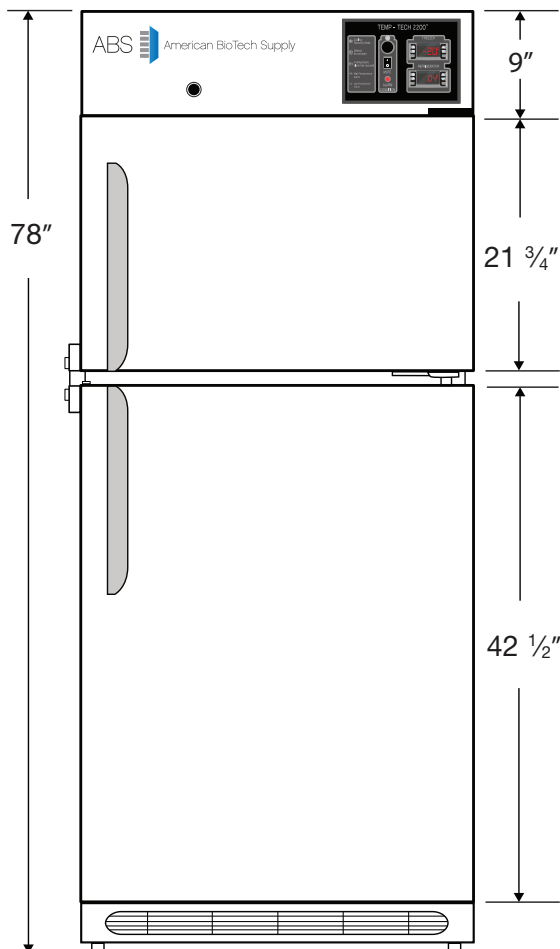
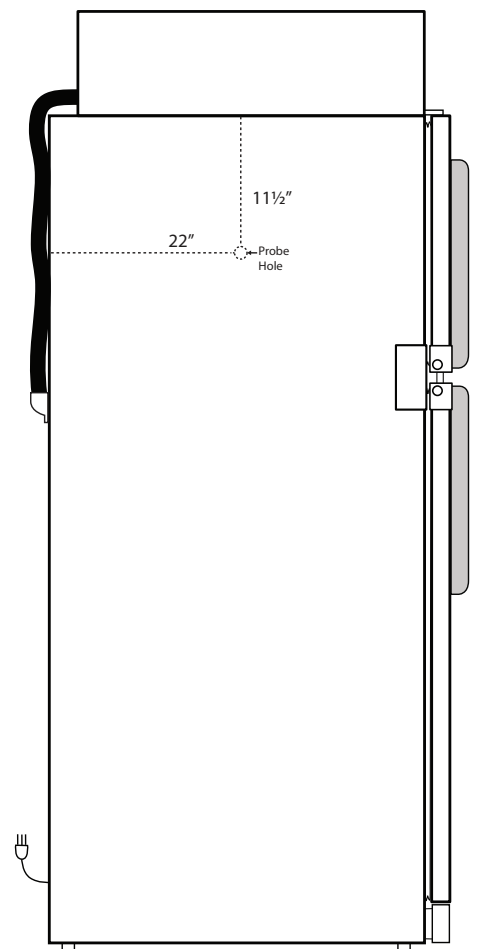


## CUTSHEET

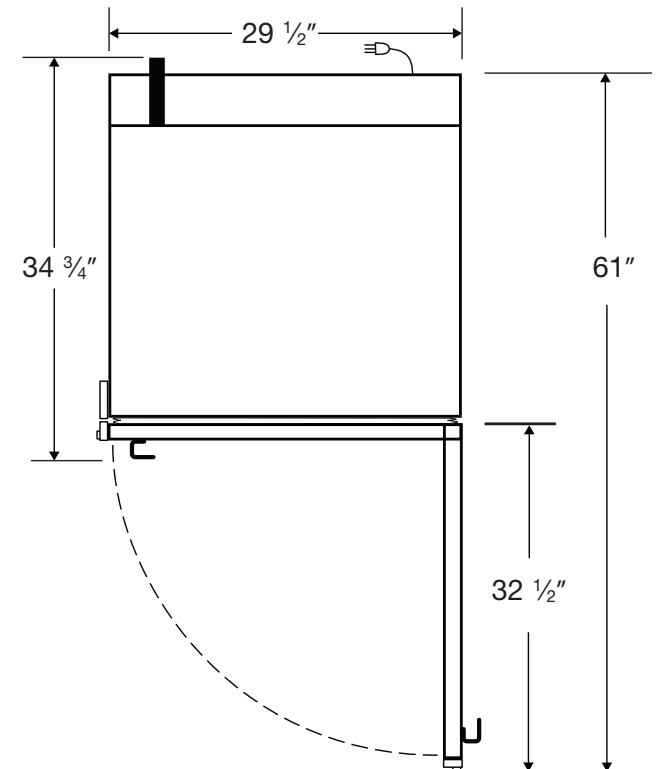
### Front View



### Side View



### Top View



115VAC/60Hz/1PH  
NEMA-5-15P

Compartment	Cu. Ft	Defrost	Door	Int Door	Shelves	W"	D"	H"	Refrigerant	H.P.	Amps	Weight
Freezer	3	Auto	1 Solid	0	1 Fixed	29 1/2	34 3/4	78	R134a	1/8	7.5	263 lbs.
Refrigerator	13	Cycle	1 Solid	0	3 Adj.							