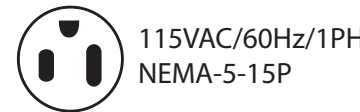
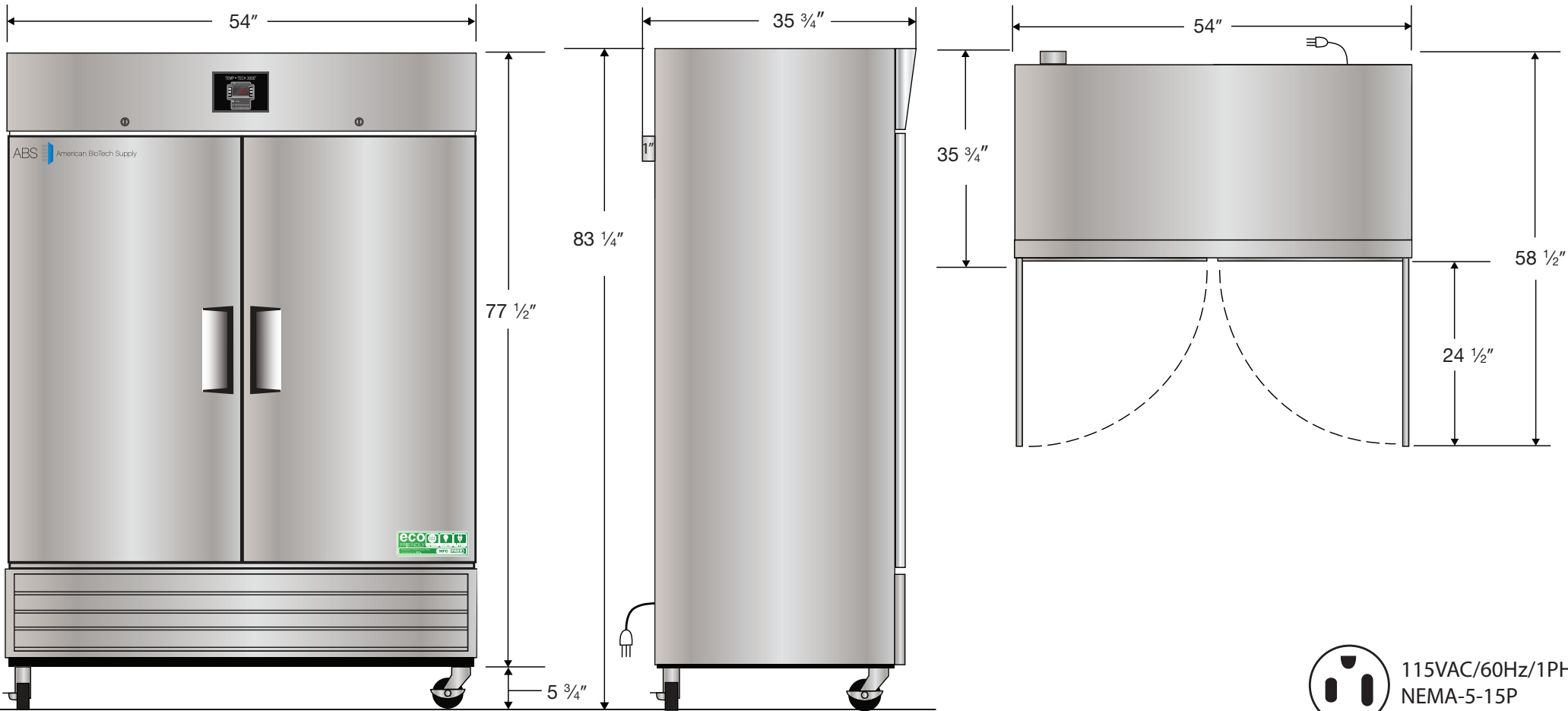


**Exterior  
 ABT-HC-SSP-49FA**

Front View

Side View

Top View



Cu. Ft	Defrost	Door	Int Door	Shelves	W"	D"	H"	Refrigerant	H.P.	Amps	Weight
49	Auto	2 Solid	0	6 Adj.	54	35 3/4	83 1/4	R290	3/4	9	450 lbs.