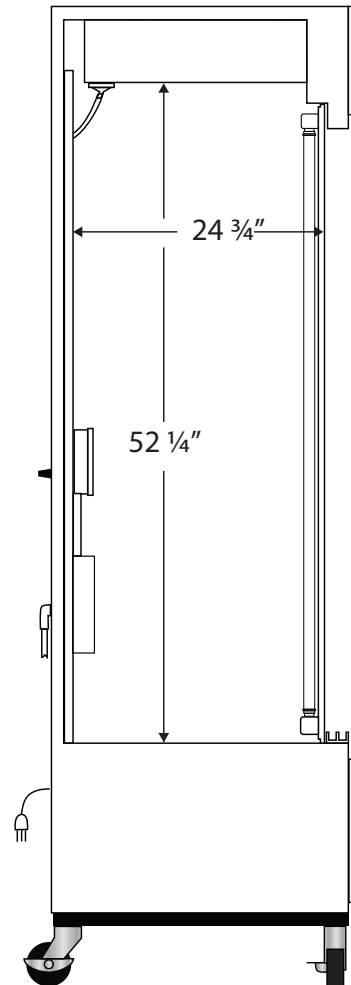
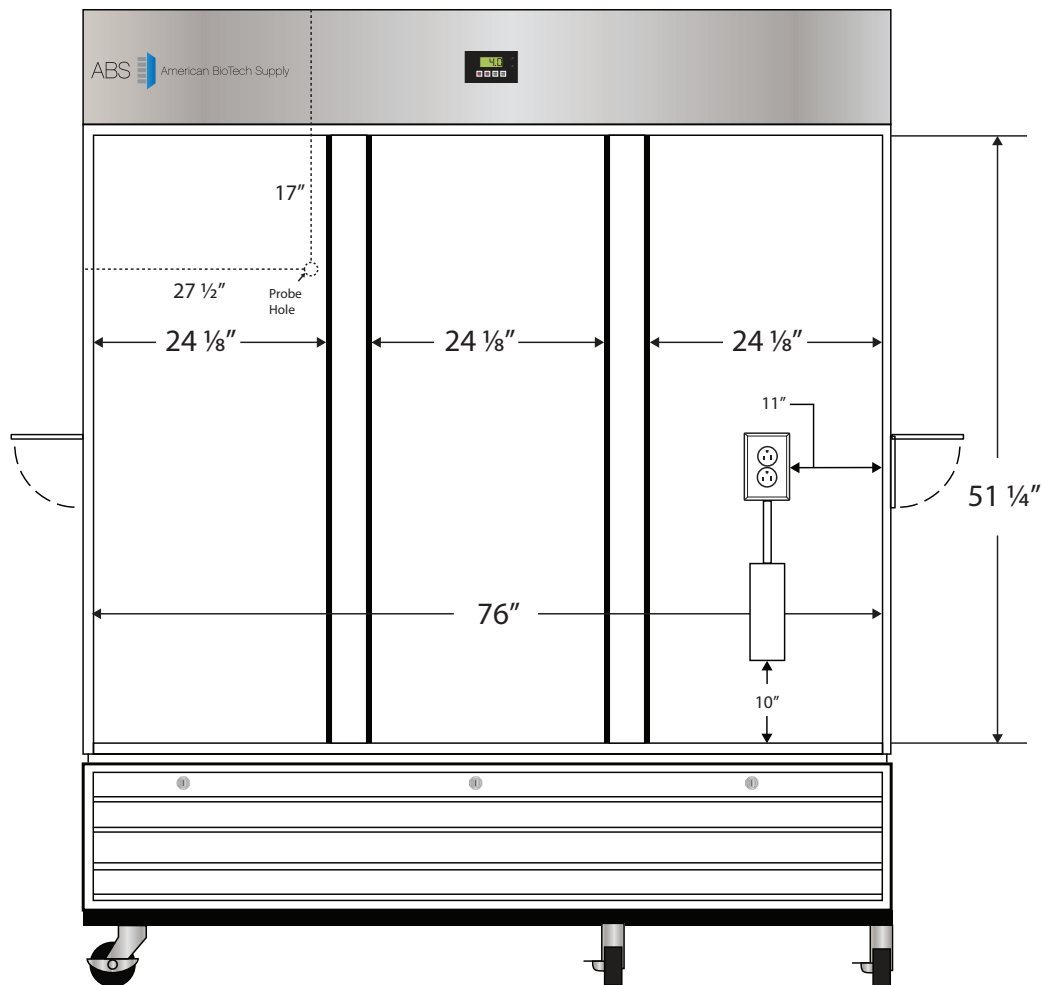


CUTSHEET

Front View

Side View



| Cu. Ft | Defrost | Door | Int Door | Shelves | Interior Dim. | | | Refrigerant | H.P. | Amps | Weight |
|--------|---------|---------|----------|---------|---------------|--------|--------|-------------|------|------|----------|
| | | | | | W" | D" | H" | | | | |
| 72 | Cycle | 3 Glass | 0 | 12 Adj | 76 | 24 3/4 | 52 1/4 | R290 | 1/2 | 7.5 | 693 lbs. |

Note: Interior dimensions are estimates and subject to change without notice