

# Universal Ringlight

For 33 to 81 mm objective diameters



Universal Ringlight A08600.1 (new clamp style)

## Product and Performance Characteristics

SCHOTT ringlights emit intense, uniform, and shadow-free illumination for Microscopy and Machine Vision applications

- Fits microscope and camera objectives from 33 to 81 mm with appropriate clamps
- Working distance is 1.5" to 6" (38 to 152 mm)
- 33" (838 mm) bundle length on all models
- Two unique clamping/mounting systems for precise positioning, most ringlights fit directly onto the microscope and camera objective without adapters
- Inputs fit all ColdVision light sources; ringlights can be used with other manufacturer's continuous light sources although adapters may be necessary
- Use ringlights with our dichroic color filters, diffusers, polarizer/analyzers, and reflector rings for alternative lighting effects
- Vertical exit bundle option increases work space and prevents the bundle from interfering with surrounding objects
- Modified standard and custom ringlights are also available for your unique requirements
- ESD (Electro Static Discharge) option is available on custom basis

## Universal Ringlight Specifications

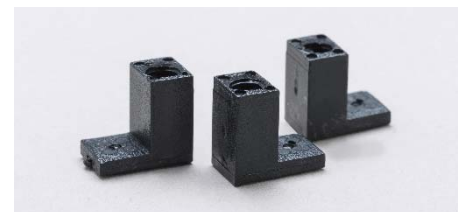
Part No.	Exit	Minimum Working Distance	Objective Diameter Camera and Microscope	Mounting Clamps	Polarizer/ System Analyzer
A08600	Standard	1.5" - 6"	47 – 62 mm	Classic	A08615
A08600.1	Standard	1.5" - 6"	47 – 62 mm	New	A08615
A08620	Vertical	1.5" - 6"	47 – 62 mm	Classic	A08615



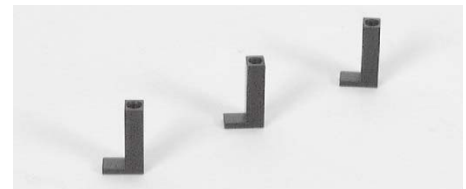
Universal Ringlight A08600 (classic clamp style)

## Holders, Clamp Rings and Anti-slip Pads

Part No.	Description
A08614	Anti-slip ringlight clamps for ringlight models A08600, A08620. (3 clamps in package) (47 mm to 62 mm)
A08601	(33 mm to 46 mm)
A08601.1	Ringlight screw
A08602	(62 mm to 81 mm)



Anti-Slip Ringlight Clamps, A08614



Anti-Slip Ringlight Clamps, A08601



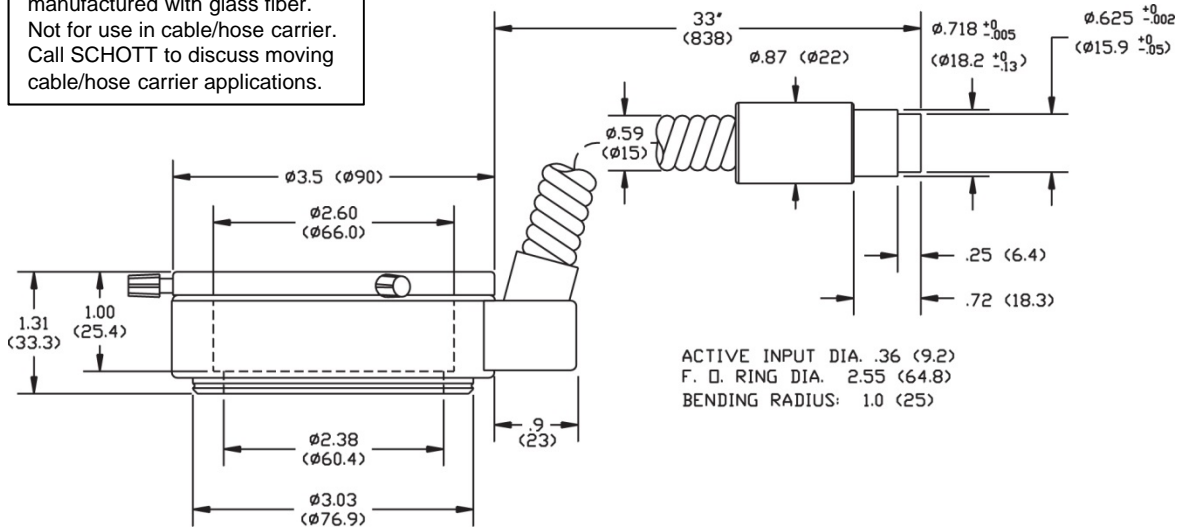
Anti-Slip Ringlight Clamps, A08602

Version 02.2017



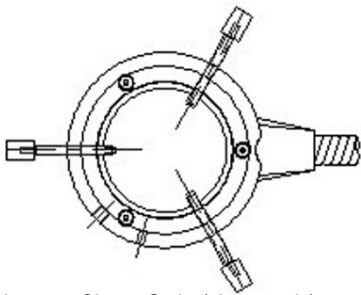
## Specifications

**Warning :** This product is manufactured with glass fiber. Not for use in cable/hose carrier. Call SCHOTT to discuss moving cable/hose carrier applications.

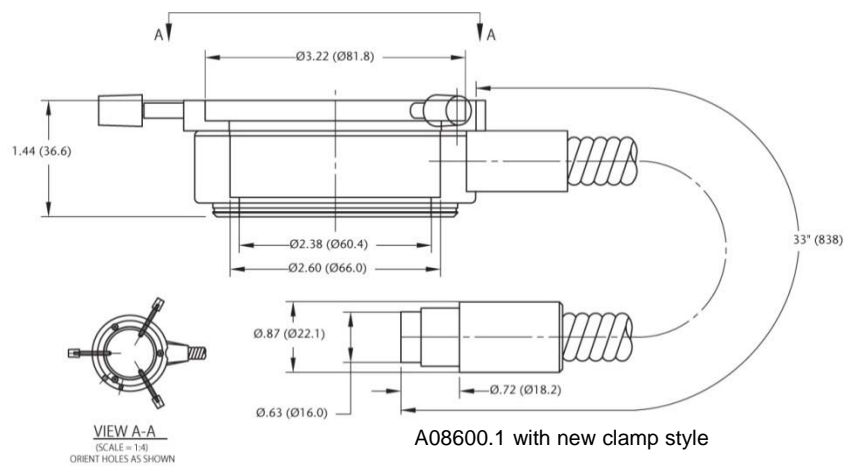


A08620 - 47 mm / 62 mm Ringlight with vertical exit (classic clamp)  
 Dimensions in ( ) are in mm

Ringlight Input: Black Anodized Aluminium or Conductive Finish  
 Bundle Sheathing: PVC Covered Metal Tubing or Stainless Steel  
 Working Distance: 1.5" to 6" (38 to 152)



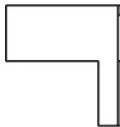
A08690 Clamp Style (clamp only)



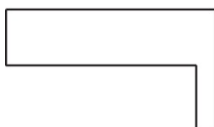
A08600.1 with new clamp style

## Available Clamps

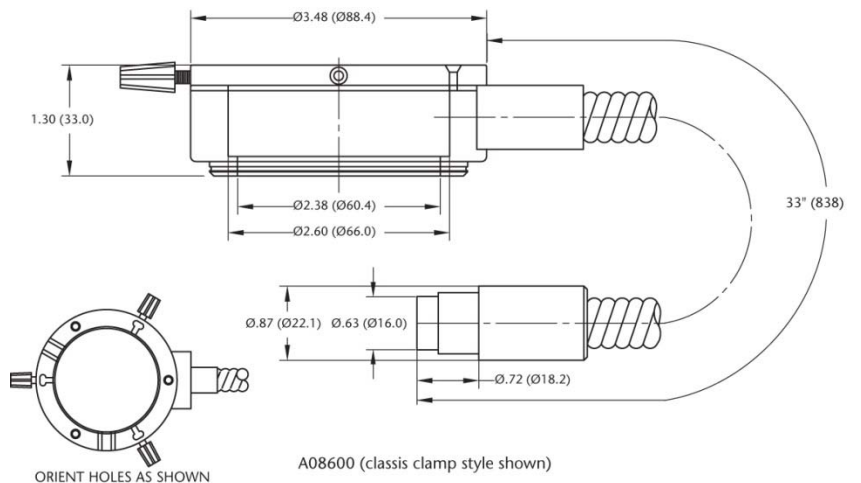
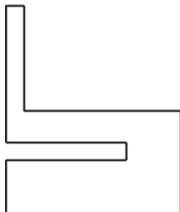
For A08611  
 Clamp Ring,  
 A08600 and  
 A22000  
 Ringlights and  
 A08614, Set of  
 3 Clamps 1.8 / 2.4"  
 (47/62)



For A08612 Clamp  
 Ring, A08603  
 Ringlight and  
 A08601, Set of  
 3 Clamps 1.3 / 1.8"  
 (33/46)



For A08613 Clamp  
 Ring, A08604  
 Ringlight, and  
 A08602, Set of  
 3 Clamps 2.4 / 3.2"  
 (62/81)



A08600 (classic clamp style shown)

All specifications are subject to change without prior notice. This datasheet or any extracts thereof may only be used in other publications with express permission of SCHOTT. © SCHOTT North America, Inc.

Lighting and Imaging  
**SCHOTT North America, Inc.**  
 122 Charlton Street  
 Southbridge, MA 01550  
 USA

Phone: +1 (508) 765-9744  
 Fax: +1 (508) 765-1299  
 lightingimaging@us.schott.com  
 www.us.schott.com/lightingimaging

**SCHOTT**  
 glass made of ideas