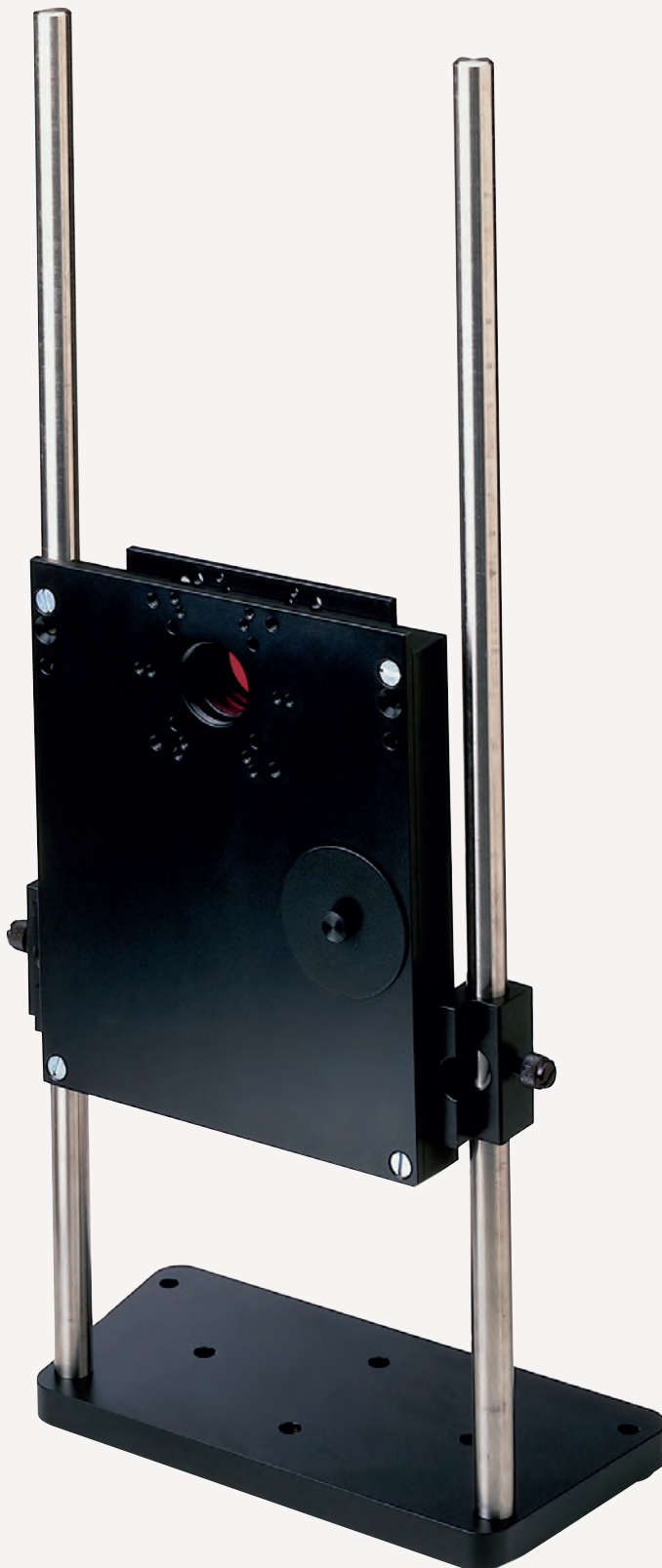


Motorized Filter Wheels and Shutters

High Speed Filter Wheel and Shutter System



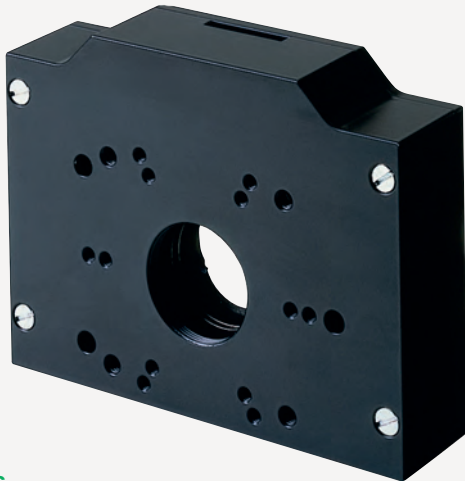
The Prior Scientific Filter Wheel System can be used as a stand alone unit with the ProScan™ controller or used in conjunction with the motorized stage and focus system. The components are adaptable to a wide range of microscopes and illuminators and as such are suitable for a wide range of applications.

- Mounts on the illumination or emission side of the microscope
- Available for 25 mm (10 position) or 32 mm (8 position) filters
- A large selection of adapters to fit most illuminators
- Filter wheels can be stacked together in series
- Magnetic covers over the filter load position on both sides of the Filter Wheel give easy access to quickly change filters
- Visible filter position numbers for both the light path filter and the load position filter
- Filter wheel stand for added stability
- Optional Dual Slide in Neutral Density Filter Holder

Motorized Filter Wheels and Shutters

High Speed Filter Wheel and Shutter System

The High Speed Shutter has a 40 Hz. maximum frequency of operation and can be completely closed or opened in 10 ms. The dual slide-in filter holder mounts to the filter wheel and holds two neutral density or IR filters.



Dimensions

'A' - Maximum on stand 540 mm

'A' - Minimum on stand 34 mm

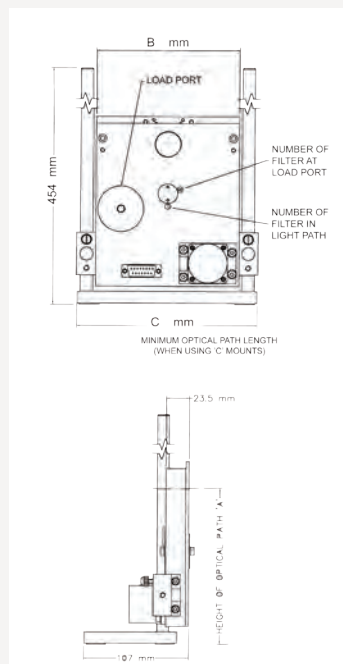
'A' - Minimum off stand 28 mm

'B' - for HF110 - 141 mm

'B' - for HF108 - 159 mm

'C' - for HF110 - 179 mm

'C' - for HF108 - 15 mm



General Specifications

Filter Wheels:

10 position, 25 mm filters

OR 8 position, 32 mm filters

Filter Wheel Speed:

55 ms between adjacent positions on the HF110

Shutter Speed:

10 ms

Filter Wheel Weight:

3.2 kg

Controller:

Driven via ProScan system

Products Available

Product	Description
HF106A	Filter wheel 6 pos./25 mm filters
HF110	Filter wheel 10 pos./25 mm
HF108	Filter wheel 8 pos./32 mm
HF200HT	Shutter, 25 mm, mounted to HF110
HF201HT	Shutter, 32 mm, mounted to HF108
HF202HT	Shutter, 25 mm, stand alone
HF204HT	Shutter, 32 mm, stand alone
HF206	Dual slide in filter holder 32 mm
HF215	Adapter for Leica DM series
HF220	Adapter for Nikon Eclipse series
HF230	Adapter for Olympus BH series
HF235	Adapter for Olympus BX IX and Ax series
HF240	Adapter for Zeiss Axio series

Worldwide distribution

Prior Scientific Ltd
Cambridge, UK
T. +44 (0) 1223 881 711
E. uksales@prior.com

Prior Scientific Inc
Rockland, MA USA
T. +1 781-878-8442
E. info@prior.com

Prior Scientific GmbH
Jena, Germany
T. +49 (0) 3641 675 650
E. jena@prior.com

Prior Scientific KK
Tokyo, Japan
T. +81-3-5652-8831
E. info-japan@prior.com