

Model 200/225 Floor Sentry Double — Dual Arm Fume Extractor



Model # SS-200/225-FSD

The **Floor Sentry Double's** unique design extracts fumes simultaneously for two operators for a variety of applications. The two self-supportive flex arms provide equal suction at both inlets, which directs contaminants into a patented filtration system customized for the application. Standard filter options include **HEPA filter** (up to 99.97% efficiency on particles 0.3 microns and larger), **ASHRAE filter** (up to 95% efficiency on particles 0.5 microns and larger), and **ULPA filter** (up to 99.9995% efficiency on particles 0.12 microns and larger) for particulate removal. **Activated Carbon filters**, and **specialty-blended filter media [i.e. acid gas, mercury, aldehyde, and ammonia]** provide filtration for chemical fumes and vapors. This unit can easily be placed on the floor to free up much needed workspace, or it can be placed on the benchtop itself.

Typical applications for this unit include *soldering, chemical fumes, light grinding, solvent and epoxy fumes, dust, pharmaceutical powders and many other procedures that emit particulate and fumes.*

The **Floor Sentry Double** offers a highly energy-efficient, quiet, and economical solution to fume extraction for multiple operator use.

This unit is also available with a single arm [SS-200/225-FS] and with a more powerful fan and filtration system [SS-300-FSD & SS-400-FSD].



Model 200/225 Floor Sentry Double



Model 200/225 Floor Sentry Double provides two operators with powerful fume extraction.



Product Features

- **Included:** (2) self-supportive 52" L flex arms
- **Optional:** variable speed controller (115V only) and hour counter
- Highly portable and lightweight
- Reliable, low maintenance operation
- Quiet operation
- Simple, quick "no tool" filter change
- Long filter life
- Small footprint

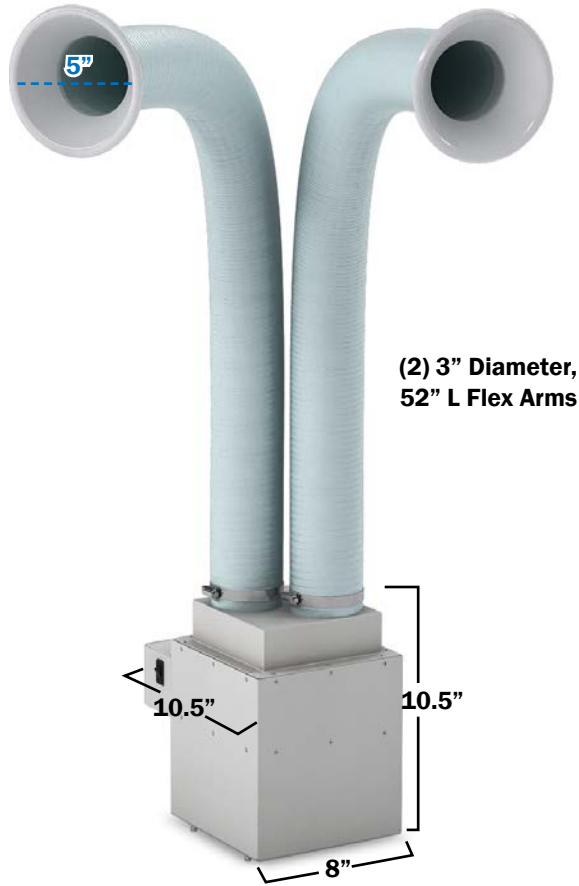


21221 FM 529 Rd, Cypress, TX 77433
1.800.799.4609 • sales@sentryair.com

www.sentryair.com

Fume & Particulate Removal

Product Specifications



Dimensions are approximate.



21221 FM 529 Rd
Cypress, TX 77433
1.800.799.4609
sales@sentryair.com

www.sentryair.com

Base Unit Dimensions	Length: 10.5" Width: 8" Height: 10.5"
Arm Dimensions	(2) 3" diameter, 52" L 5" capture hood
Cabinet Material	16 ga. carbon steel
Weight	Approx. 15 lbs
Air Volume (approximately)	Pre-Filter + HEPA: 200: up to 80 CFM (40 per arm) 225: up to 91 CFM (45 per arm)
Electrical	200: 115/1/60, 0.3 amps 220/1/50, 0.2 amps 225: 115/1/60, 0.46 amps 8' grounded power cord with NEMA 5-15P plug
Sound Level (High at 3' from inlet)	200: Approx. 56 dba 225: Approx. 64 dba
Main Filter Options	<i>Depending on the Application:</i> 200 - Chemical: Activated Carbon Specialty-Blended Filter Media [i.e. acid gas, mercury, aldehyde, and ammonia] 225 - Particulate: HEPA [up to 99.97% efficiency on particles 0.3 microns and larger] ASHRAE [up to 95% efficiency on particles 0.5 microns and larger] ULPA [up to 99.9995% efficiency on particles 0.12 microns and larger]
US Patent	#5,843,197