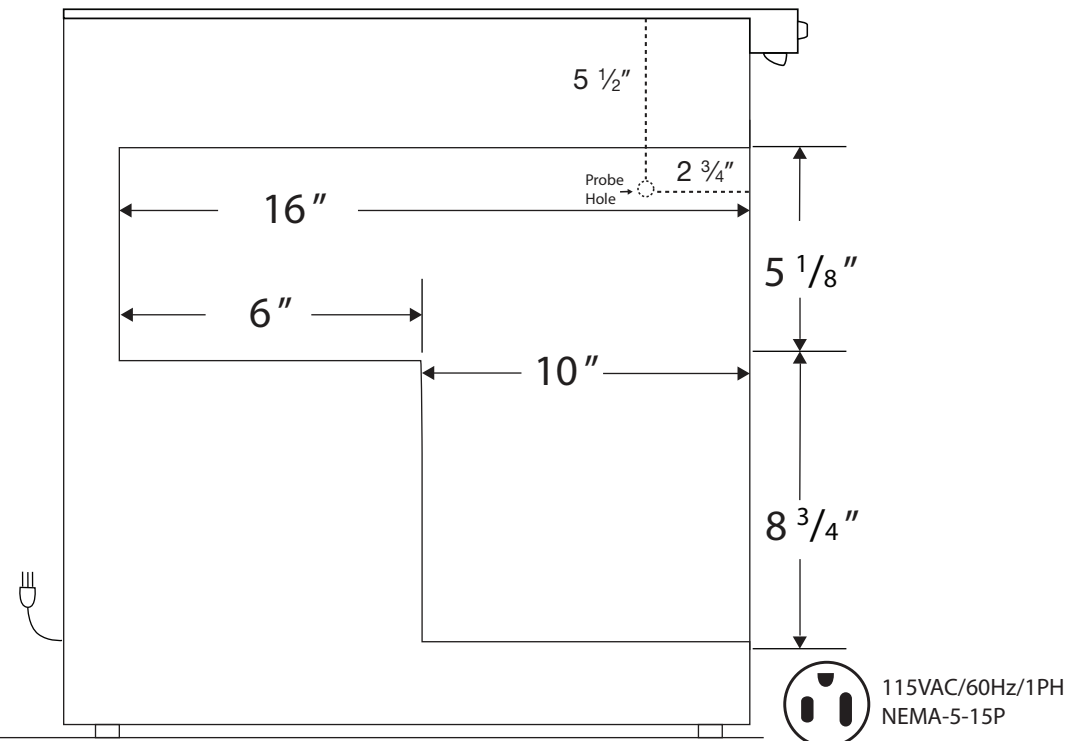
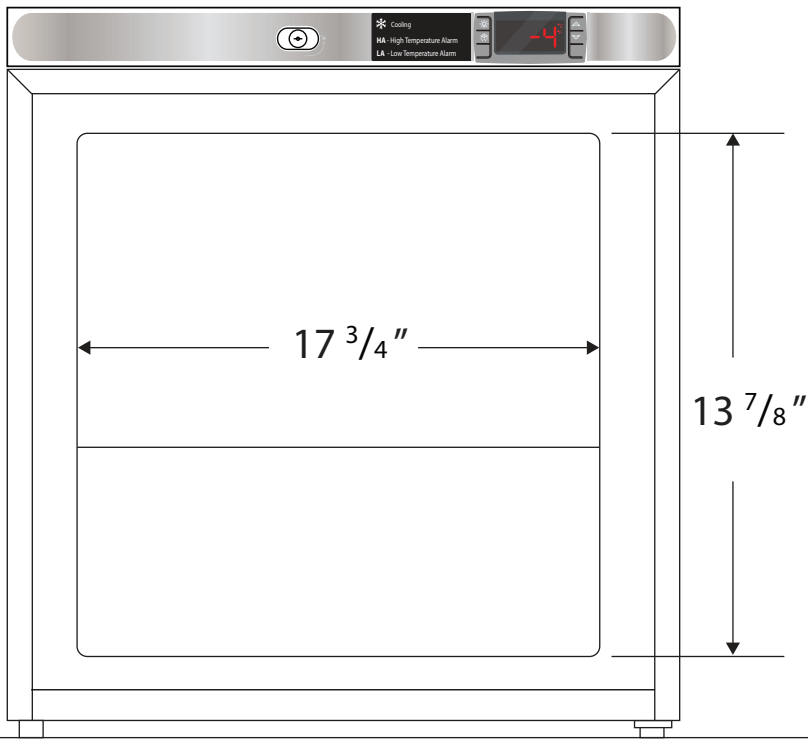


CUTSHEET

Front View

Side View



115VAC/60Hz/1PH
NEMA-5-15P

Cu. Ft	Defrost	Door	Int Door	Shelves	Interior Dim.			Refrigerant	H.P.	Amps	Weight
					W"	D"	H"				
1.7	Manual	1 Solid	0	2 Adj +Footed Bottom	17 3/4	16	13 7/8	R600a	1/8	1	80 lbs.

Note: Interior dimensions are estimates and subject to change without notice