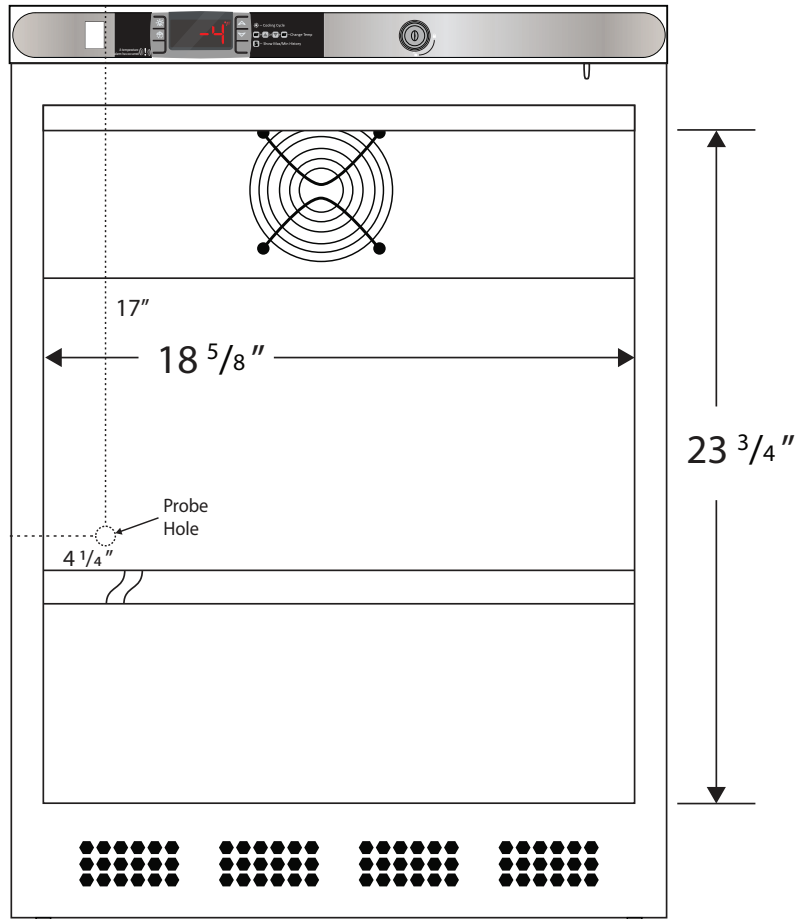
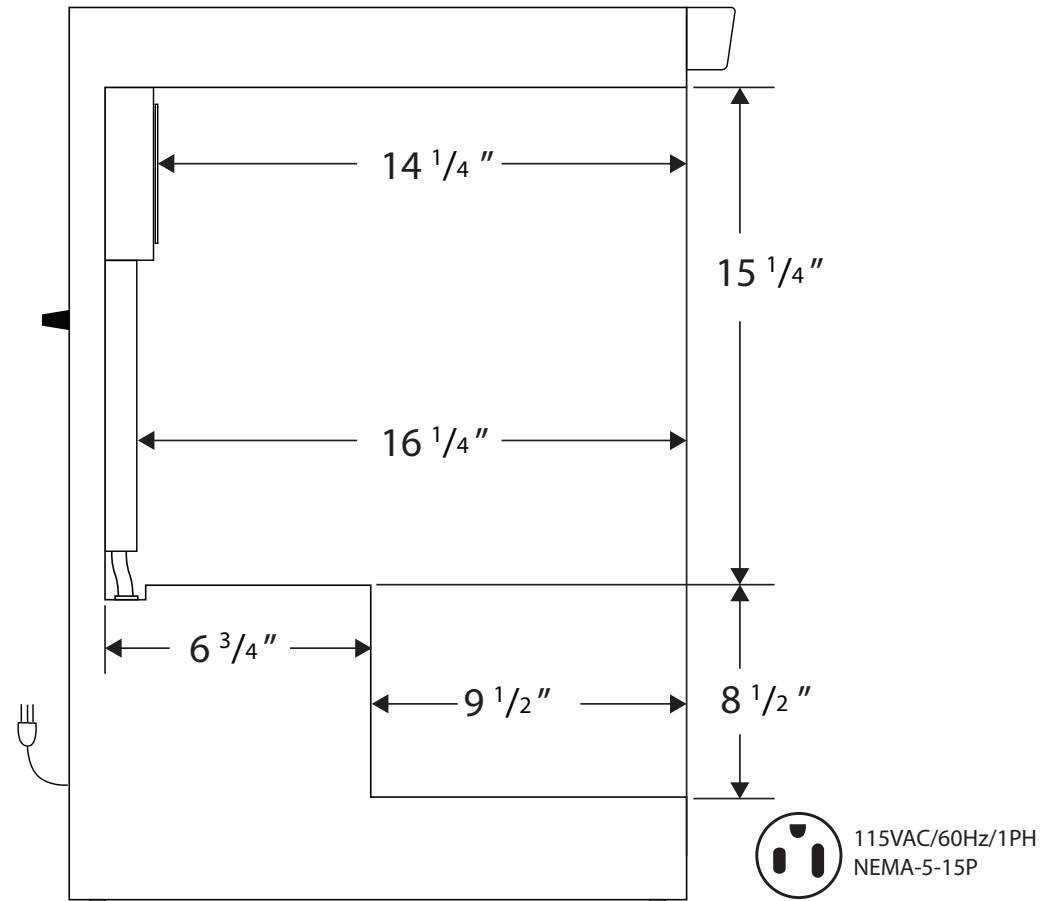


CUTSHEET

Front View



Side View



Cu. Ft	Defrost	Door	Int Door	Shelves	Interior Dim.			Refrigerant	H.P.	Amps	Weight
					W"	D"	H"				
4.2	Auto	1 Solid LH (Reversible)	0	3 Adj	18 <sup>5</sup> / <sub>8</sub>	16 <sup>1</sup> / <sub>4</sub>	23 <sup>3</sup> / <sub>4</sub>	R290	<sup>1</sup> / <sub>8</sub>	1.8	100 lbs.

Note: Interior dimensions are estimates and subject to change without notice