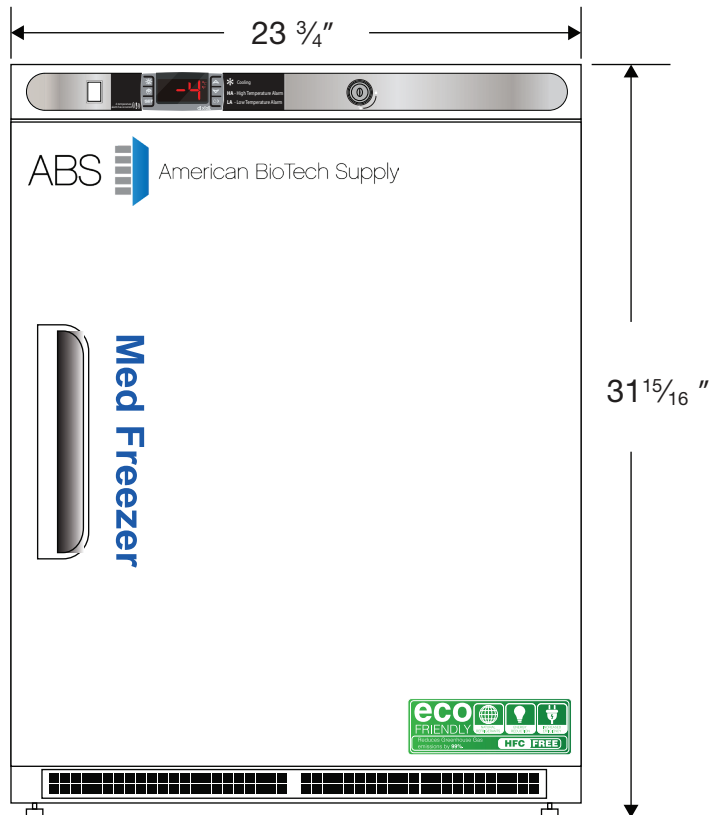
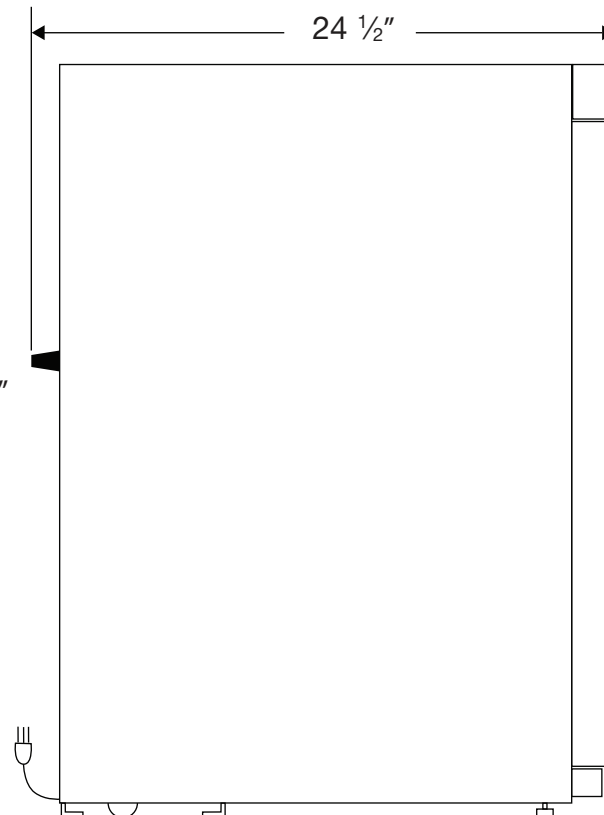


CUTSHEET

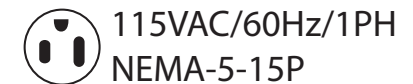
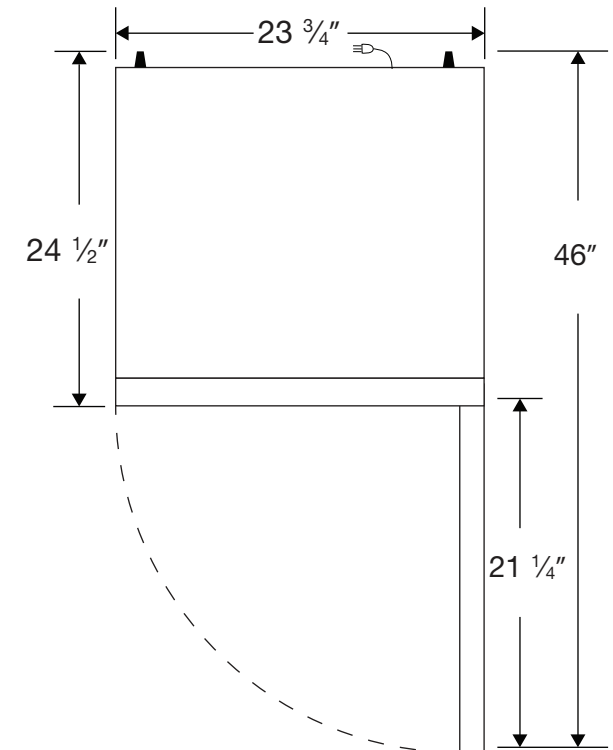
Front View



Side View



Top View



Cu. Ft	Defrost	Door	Int Door	Shelves	W"	D"	H"	Refrigerant	H.P.	Amps	Weight
4.2	Manual	1 Solid (Reversible)	0	2 Fixed	23 ³ / ₄	24 ¹ / ₂	31 ¹⁵ / ₁₆	R600a	¹ / ₈	1.5	108 lbs.