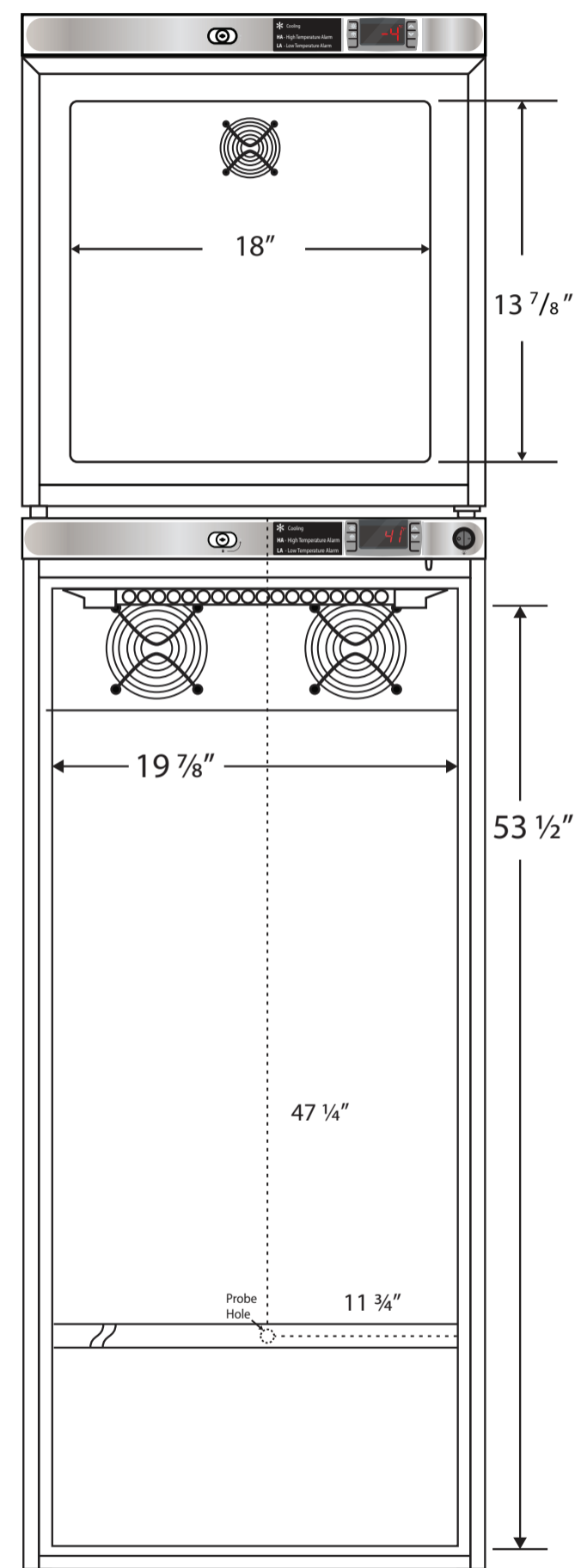
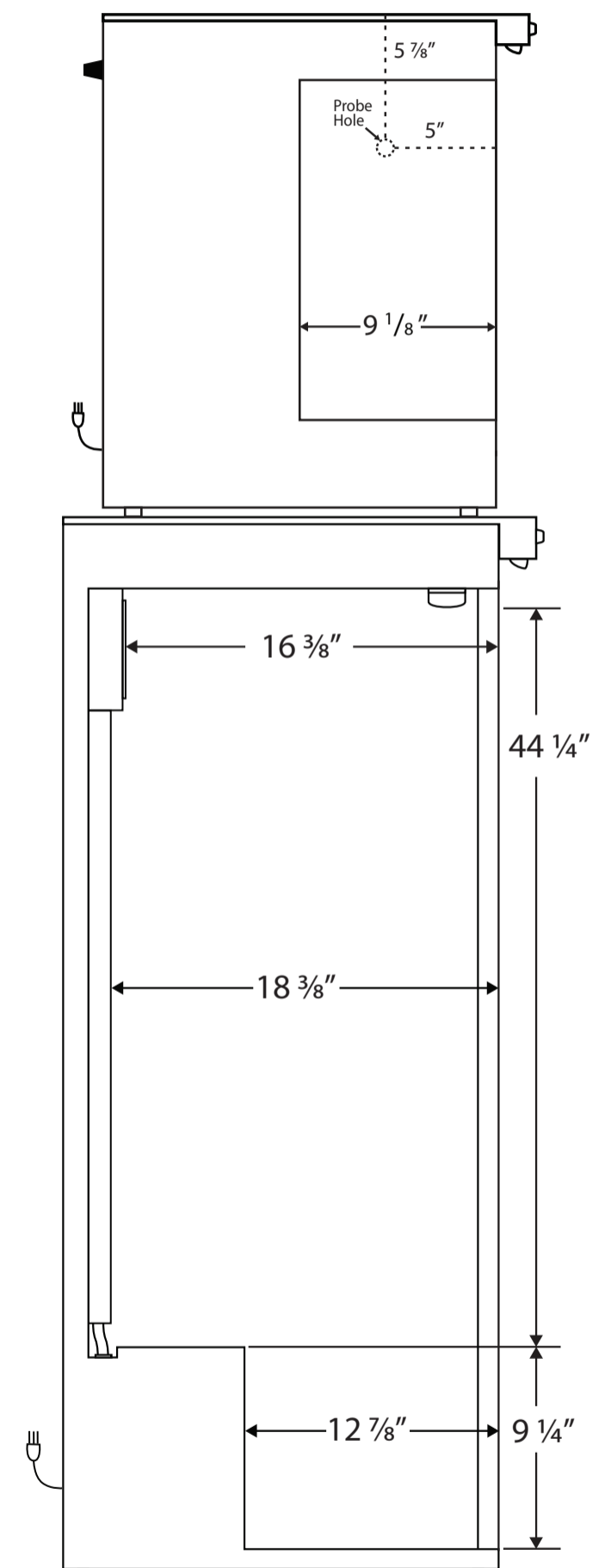


Front View



Side View



115VAC/60Hz/1PH  
NEMA-5-15P

Compartment	Cu. Ft	Defrost	Door	Int Door	Shelves	Interior Dim.			Refrigerant	H.P.	Amps	Weight
						W"	D"	H"				
Freezer Refrigerator	1.3 10.5	Auto Cycle	1 Solid 1 Solid	0 0	2 Adj. 6 Adj.	18 $19\frac{7}{8}$	$9\frac{1}{8}$ $18\frac{3}{8}$	$13\frac{7}{8}$ $53\frac{1}{2}$	R600a	$\frac{1}{8}$ $\frac{1}{3}$	1 2.3	219 lbs.

Note: Interior dimensions are estimates and subject to change without notice