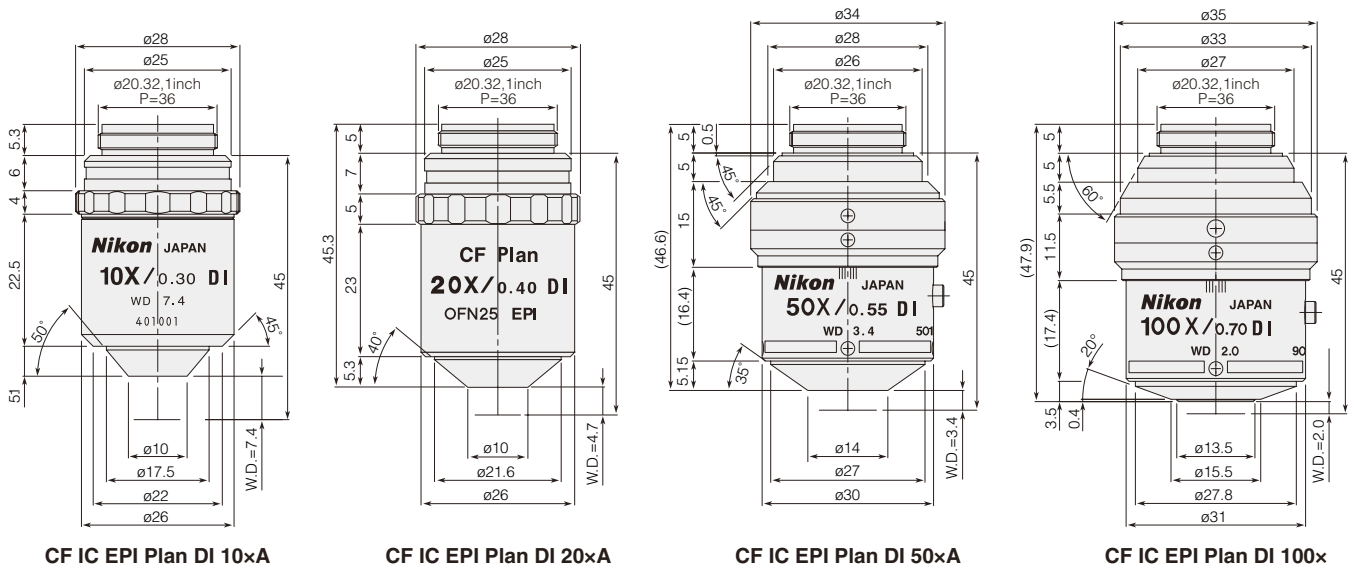


CF IC EPI Plan DI Double Beam Interference Objectives

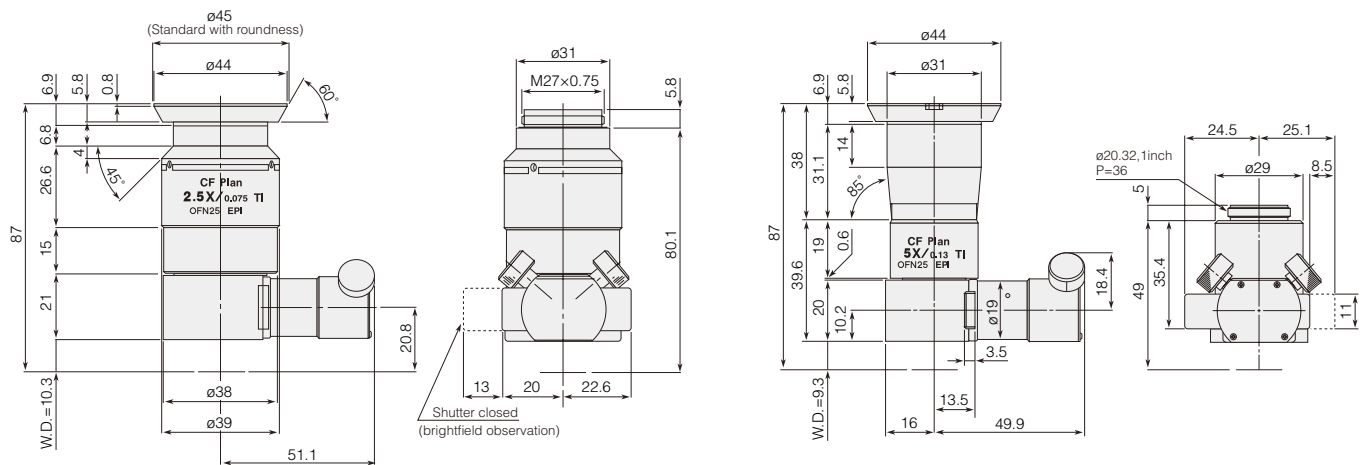
Double beam interference objectives that have large numerical aperture, long working distance and high optical performance.



Unit: mm

Code No.	CF IC Objectives						Widefield CF eyepieces CFWN 10x (F.N. 20)			Ultra-Widefield CFI eyepieces CFI UW10x (F.N. 25)		
	Objectives (Magnifications)	NA	W.D.(mm)	Focal length (mm)	Physical depth of focus (μm)	Weight (g)	Total magnification (M)	Actual field of view (mm)	Depth of focus (μm)	Total magnification (M)	Actual field of view (mm)	Depth of focus (μm)
MUL40101	CF IC EPI Plan DI 10xA	0.30	7.4	19.78	3.06	125	100x	2.00	3.04	100x	2.50	3.04
MUL40201	CF IC EPI Plan DI 20x	0.40	4.7	9.97	1.72	130	200x	1.00	1.71	200x	1.25	1.71
MUL40501	CF IC EPI Plan DI 50x	0.55	3.4	4.00	0.90	200	500x	0.40	0.90	500x	0.50	0.90
MUL40900	CF IC EPI Plan DI 100x	0.70	2.2	2.00	0.56	200	1000x	0.20	0.56	1000x	0.25	0.56

CF IC EPI Plan TI Interference Objectives



Unit: mm

Code No.	CF IC Objectives						Widefield CF eyepieces CFWN 10x (F.N. 20)			Ultra-Widefield CFI eyepieces CFI UW10x (F.N. 25)		
	Objectives (Magnifications)	NA	W.D.(mm)	Focal length (mm)	Physical depth of focus (μm)	Weight (g)	Total magnification (M)	Actual field of view (mm)	Depth of focus (μm)	Total magnification (M)	Actual field of view (mm)	Depth of focus (μm)
MUL42031	CF IC EPI Plan TI 2.5xA*	0.075	10.3	80	48.5	440	25x	8.00	48.6	—	—	—
MUL42051	CF IC EPI Plan TI 5xA	0.13	9.3	40	16.2	280	50x	4.00	16.2	50x	5.00	16.2

* 2.5xA supported up to a field number of 0.22.

CF&IC