

From Eye to Insight



NEW STEREO MICROSCOPES FOR ROUTINE INSPECTION



NEW S7 STEREO MICROSCOPES

More in Focus to Save You Time in Your Inspections

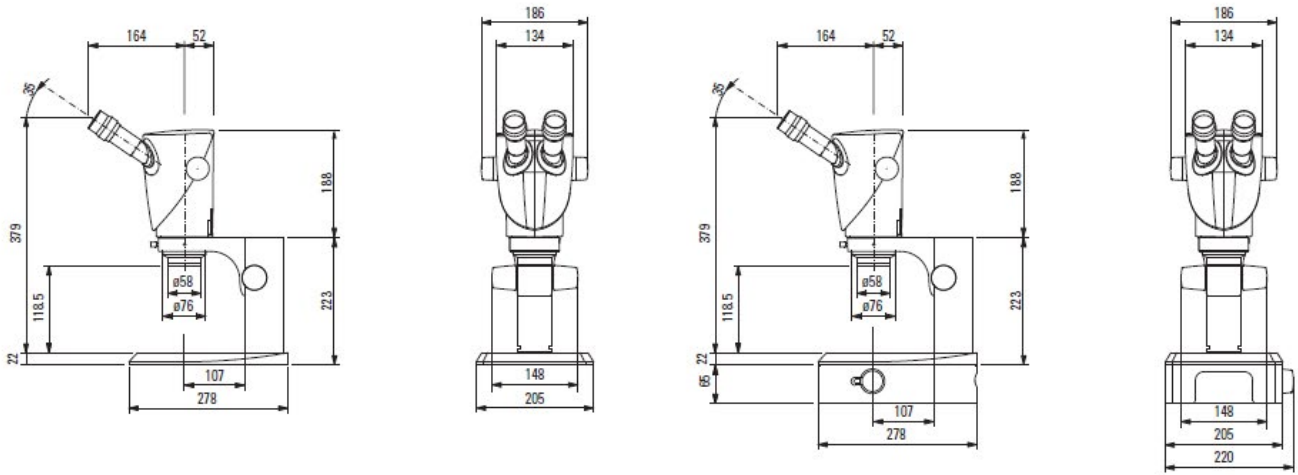
- > Exclusive **FusionOptics** provide high resolution AND high depth of field in the same image, so more is in sharp focus at the same time.
- > Affordable and easy to use manual stereo microscope solution with modular bases and stands to customize for your specific sample
- > Ideal for routine quality control and research and development inspection

FOR A DEMONSTRATION, PLEASE CONTACT:

**Leica Microsystems
Applied Microscopy Division
847-821-3417
appliedmicroscopy@leica-microsystems.com**

www.leica-microsystems.com/S7-AM

TECHNICAL SPECIFICATIONS: S7 E With Incident Light Base and Transmitted Light Illumination



Measurements shown in millimeters



| S7 E | |
|--|--|
| Optical System, lead-free | 10° Greenough using best-corrected central part of the objective; achromatic microscope system |
| Zoom | 7:1 |
| Viewing Angle | 35° |
| ESD Protection | Antistatic |
| Specific surface resistivity | 2 × 10 ¹¹ Ω / square, discharge time < 2 seconds from 1,000 V to 100 V |
| Magnification range (basic outfit) | 6.1× – 45× |
| Maximum resolution | 450 lp / mm |
| Maximum numerical aperture | 0.150 |
| Working distance (basic outfit) | 122 mm |
| Object field diameter | 37.7 mm |
| Adjustable zoom limits | Click-stops 10×, 20×, 30×, and 40× |
| Standard objectives, lead-free | 0.5×, 0.63×, 0.75×, 1.6×, 2.0× |
| Ergonomic eyepieces, fixed and adjustable, with cups | 10× / 23, 16× / 16, 20× / 12 |
| Ergonomic eyepieces for eyeglass wearers, adjustable, with eyecups | 10× / 23, 16× / 15, 25× / 9.5, 40× / 6 |
| Interpupillary distance | 50 – 76 mm |