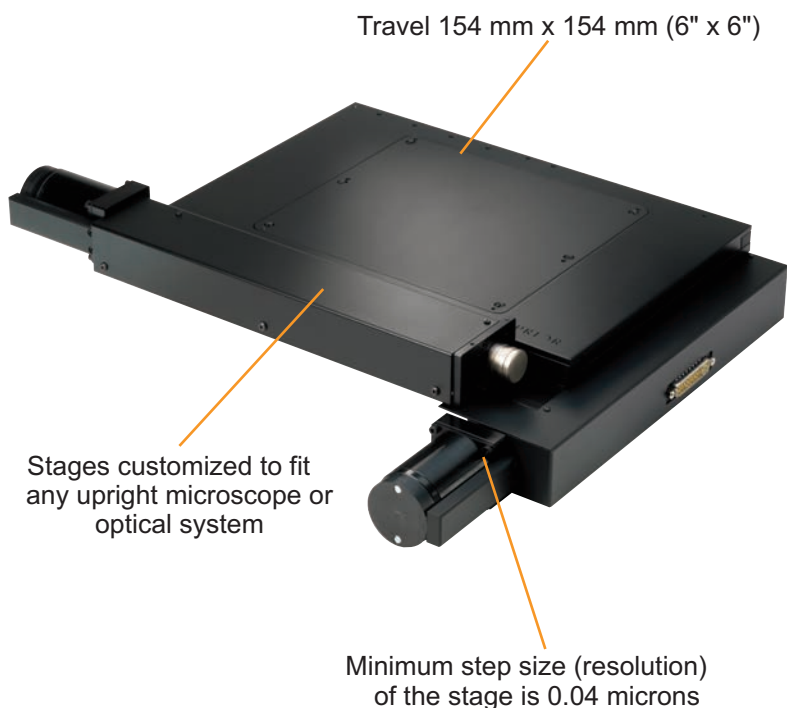


## H105 Stage

### High Precision Motorized Stage for Upright Microscopes



The H105 ProScan stage from Prior Scientific offers the highest quality, precision motorized stepper stage for your upright microscope. The H105 is one of a full range of motorized stepper stages from Prior Scientific, adaptable to virtually any microscope or optical system. The H105 is especially well-suited for applications that typically involve large specimens. For example, the H105 is perfect for performing scanning of a wide range of semiconductor wafers, photo masks, printed circuit boards and can easily accommodate 6" wafers. A variety of sample holders are available and stage inserts can be customized for any application.

The H105 features:

- Travel 154mm x 154mm (6" x 6")
- Optional 100nm linear scales provide the highest precision available
- Minimum step size (resolution) of the stage is 0.04 microns
- Stages customized to fit any upright microscope or optical system
- Closed loop capability with optional rotary or linear encoders

Prior stages have a well-deserved reputation for quality and repeatability. They are manufactured using the highest quality components: precision bearings, zero backlash recirculating ball screws, X and Y limit switches, two high precision stepper motors even a tough scratch resistant coating.

#### General Specifications

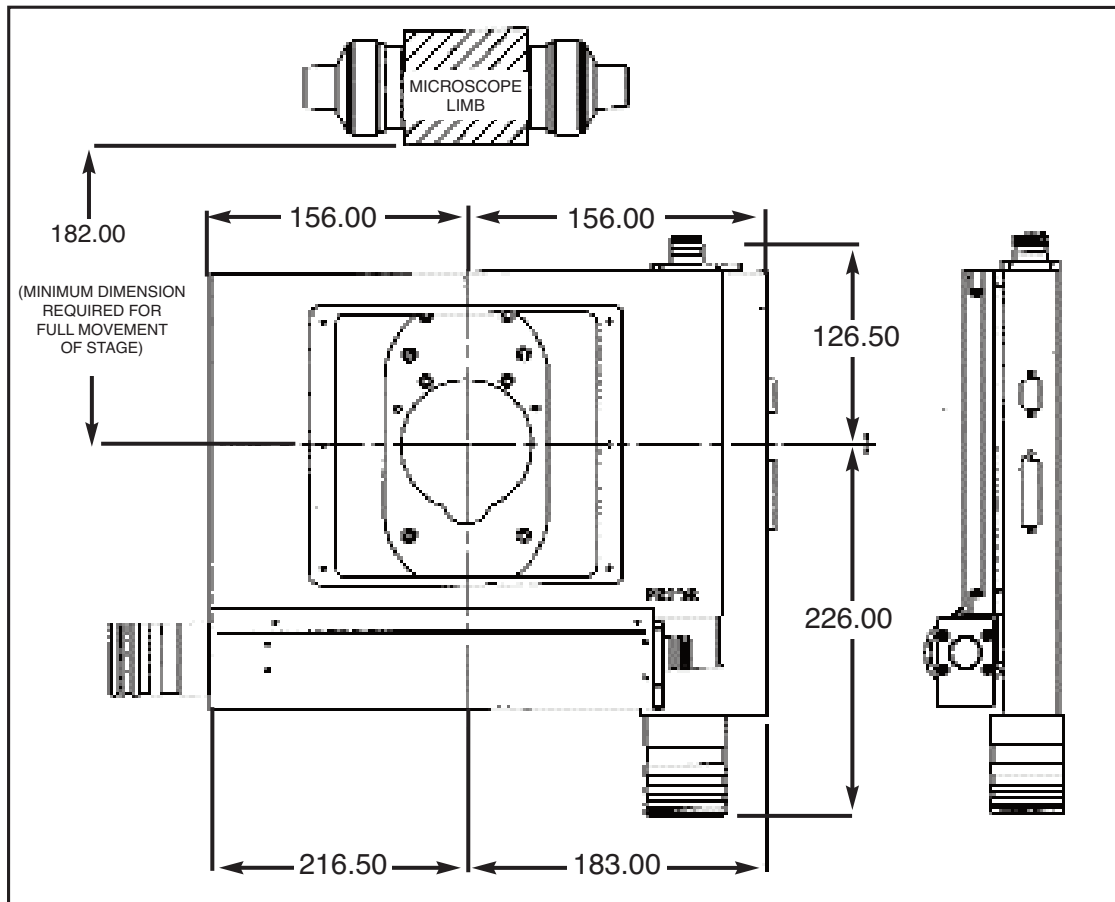
- Travel Range: 154mm x 154mm (6" x 6")
- XY Repeatability\*:  $\pm 0.7 \mu\text{m}$  (micrometer), open loop
- Minimum Step Size (Resolution):  $0.04 \mu\text{m}$
- Load Capacity: 20 kg (44 lbs)
- Stepper motor: 4 phase, 1 amp per phase, micro stepping
- Linear Slides: Precision 3mm bearings

- Drive Screws: Zero backlash, recirculating ball screws; 2mm pitch or 5mm pitch
- Limit Switches: X and Y standard
- Stage Profile: Approximately 30 mm (1.2") with glass plate installed
- Weight: 5.0 kg (11 lbs)
- Finish: Electro-phoretic black plate

## H105 Stage

High Precision Motorized Stage for Upright Microscopes

### Drawing



### H105 Specifications

Specification	Details
Maximum Travel Range	154mm x 154mm
Minimum Step Size	0.04µm
XY Repeatability*	+/-0.7µm, open loop
Load Capacity	20kg
Stepper Motor	4 phase, 1amp per phase micro stepping
Linear Slides	3mm precision bearings
Drive Screws	Zero backlash, recirculating ball screws; 2mm or 5mm pitch

\*Specifications valid only if used with Prior Controller.



### Ordering Information

Part Number	Description
H105/2	Stage with 2 mm pitch screws
H105/5	Stage with 5 mm pitch screws
H105JENK	Add linear encoders