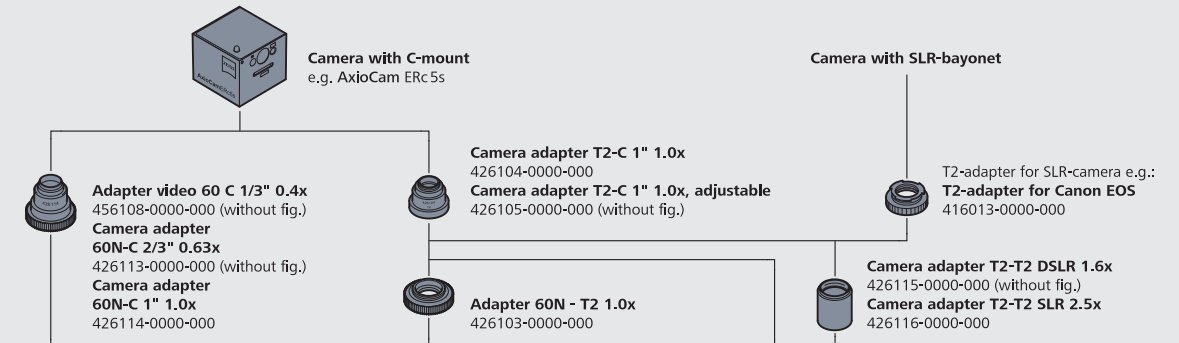
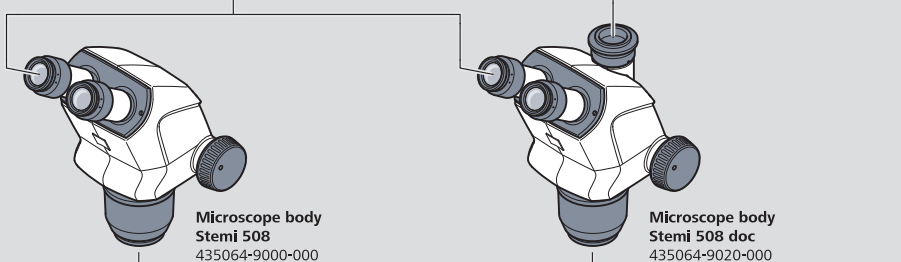


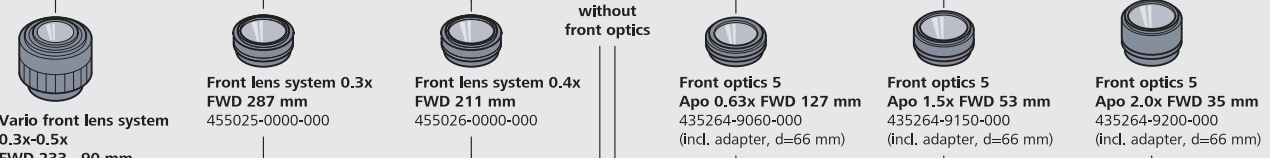
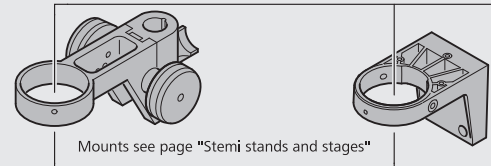
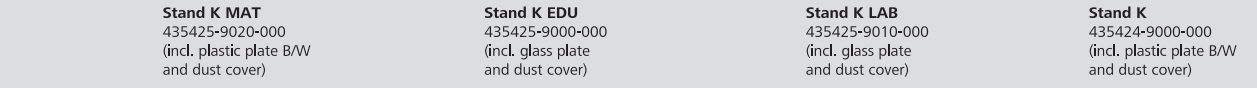
[alternativ eyepieces]



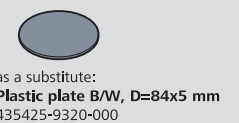
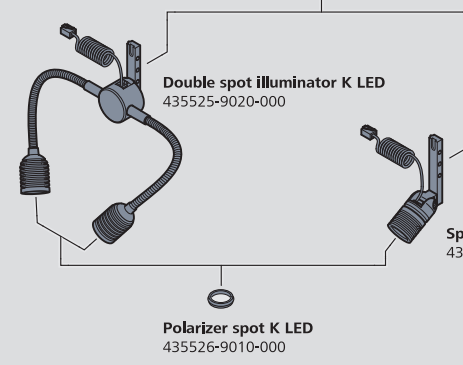
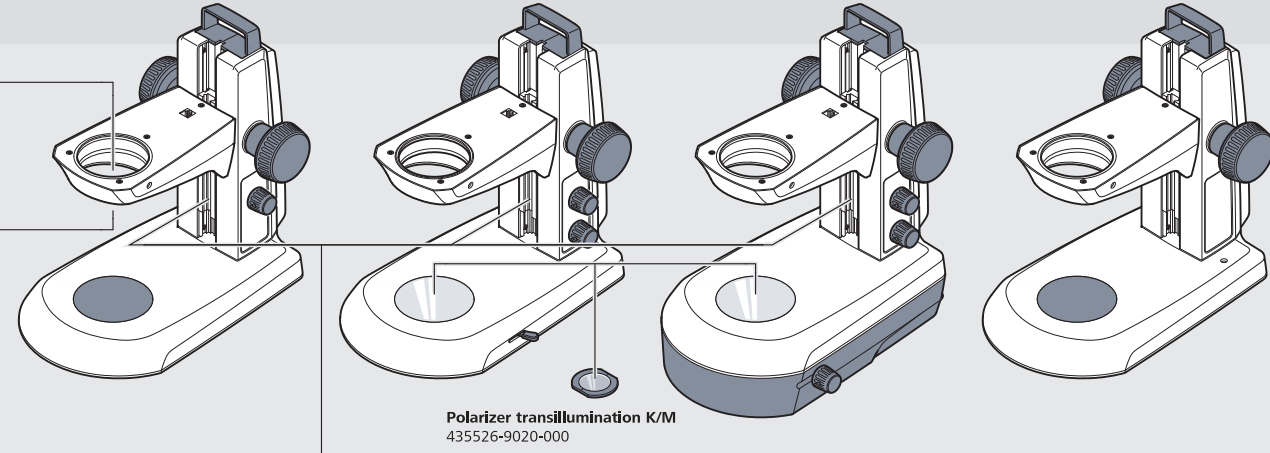
[alternativ camera adapters]



Optional for Eyepiece PL 10x/23 Br. foc.:
- **Eyepiece eyecup**
444801-0000-000
- **Reticules D=26 mm**
see price list



[Stand K MAT/K EDU/K LAB]



Ring illuminator with neon tube 5500 K,
d=58/66 mm
417040-9100-000
(incl. control unit and power supply)

Power supply 100...240 V,
50...60 Hz for VisiLED
417095-9050-000

Controller MC 1000 for VisiLED
417095-9040-000
(for 1 VisiLED light)

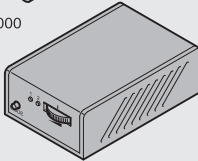
or:
Multiple controller MC 1500 for VisiLED
417095-9000-000 (without fig.)
(for 2 VisiLED light)

Holder, d=66 mm
to VisiLED DF
417095-9510-000

VisiLED ring light S 40-10 DF,
d=66 mm
417095-9300-000

LED double spot
for mount S 76 mm
417040-9560-000 (without fig.)
(incl. LED control unit HiPower,
power supply and adapter)

EasyLED spot
polarizer
417096-9600-000

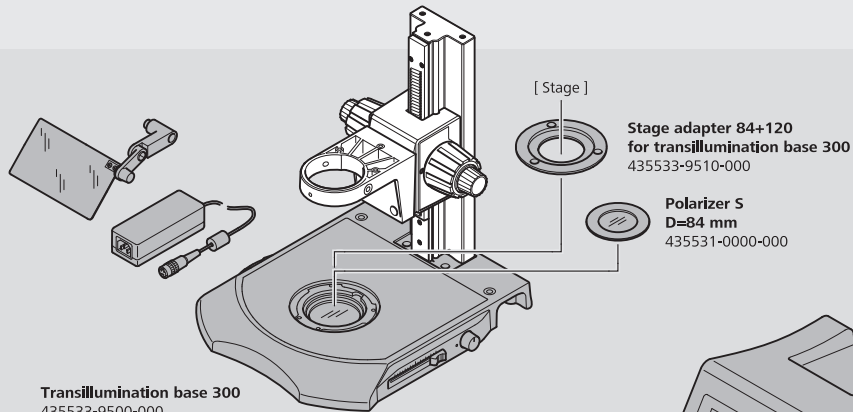


VisiLED ring light S, 80-25 BF,
d=66 mm
417095-9225-000 (without fig.)
VisiLED ring light S, 80-55 BF,
d=66 mm
417095-9255-000

Set for
simultaneous fixing
VisiLED BF+DF
417095-9500-000

Polarization filter set
VisiLED/EasyLED
417095-9550-000

LED double spot
for column 32
417040-9450-000
(incl. LED control unit HiPower,
power supply and adapter)



Transillumination base 300
435533-9500-000

- incl.:
- Clear glass plate, D=120 mm
 - Insert diaphragm 28/84
 - Power supply 24 V, 60 W
 - Antiglare shield

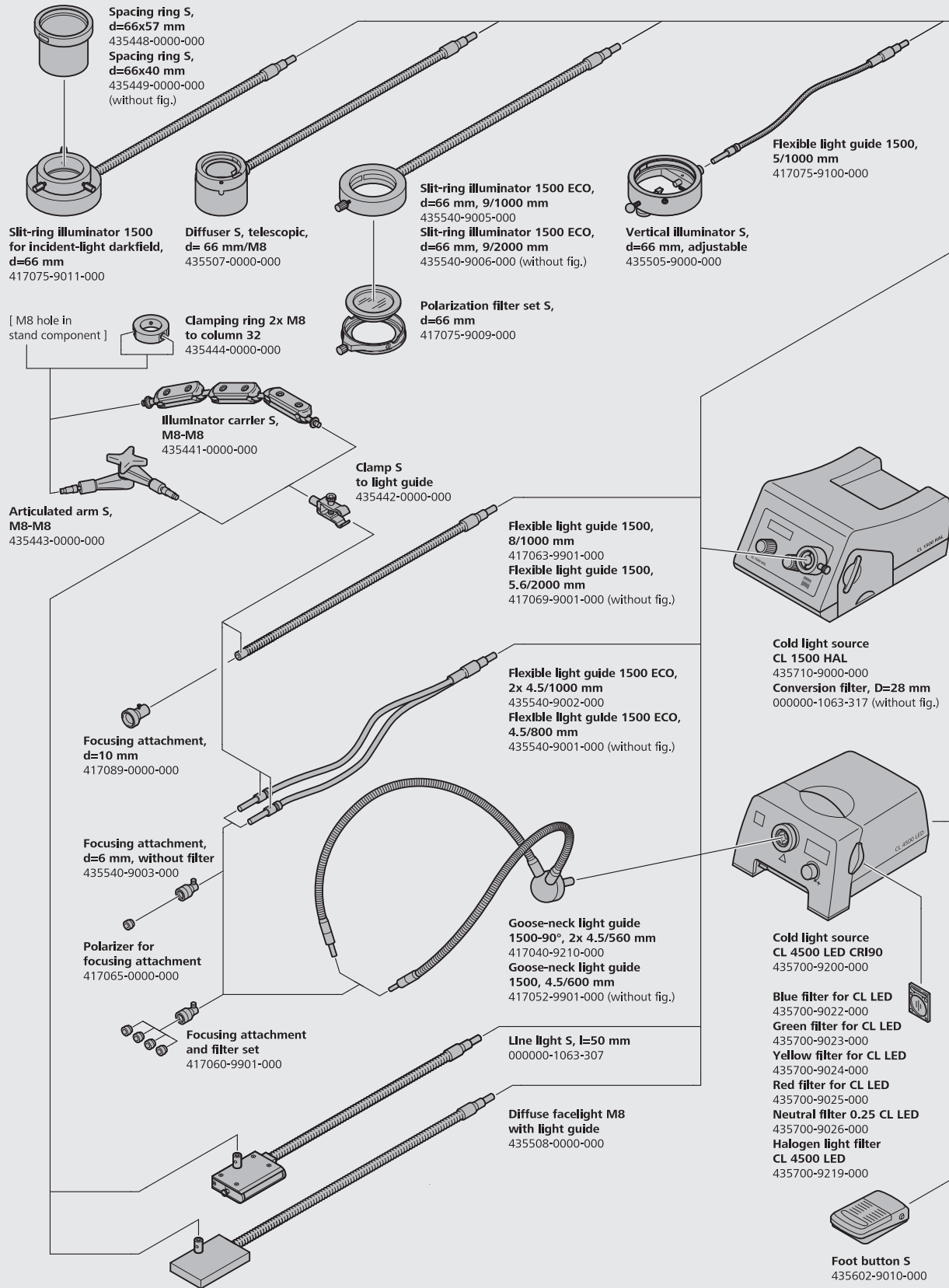
Stage adapter 84+120
for transillumination base 300
435533-9510-000

Polarizer S
D=84 mm
435531-0000-000

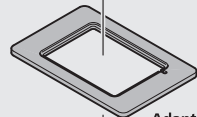
Cold light source
CL 1500 HAL
435710-9000-000
Conversion filter, D=28 mm
000000-1063-317 (without fig.)

Cold light source
CL 4500 LED CR190
435700-9200-000

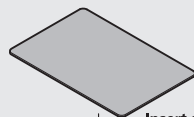
Transmitted-light unit S
with light guide 1500, 8/1000 mm
000000-1003-877



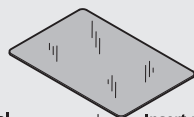
Mounting frame or plate 160x116 mm
of the mechanical stages from Axio Imager



Adapter frame S
160x116 mm, epi-illumination
435465-9050-000



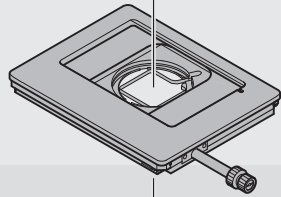
Insert plate S, metal
237x157x3 mm
435465-9052-000



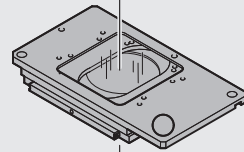
Insert plate S, glass
237x157x3 mm
435465-9053-000



Mounting frame 116x116/84 mm
435461-9001-000



Mechanical stage S
150x100 R
435465-9010-000



Gliding stage S
110x110, d=120 mm
435461-0000-000
(incl. glass plate)

Plastic plate B/W
475290-9901-000



Ground glass plate
475291-0000-000



Clear glass plate
475265-0001-000



Adherently coated plate
475288-0000-000



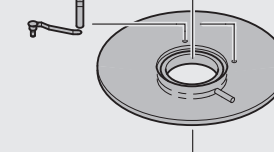
**Specimen guide 75x25
for slides**
413455-0000-000

as a substitute:
Glass plate D=72 mm
473378-0000-000

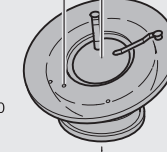
**Rotating Pol stage
for stereo microscopes**
455120-9901-000
(incl. glass plate D=72 mm
and two stage clips)

Polarizer S
455174-0000-000

Stage clips
473371-9902-000



Gliding stage
455122-0000-000



Ball-and-socket stage
455123-9901-000
(incl. adherently coated plate
and two stage clips)

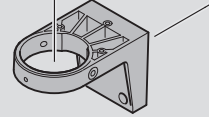


**Lambda plate
in slider**
455172-0000-000

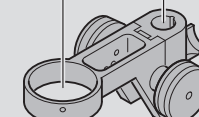
Stage adapter 84/120
435430-9010-000



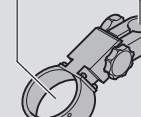
Microscope body interface
d=76 mm



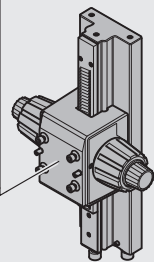
**Mount S
with diam. 76 mm support**
435402-0000-000



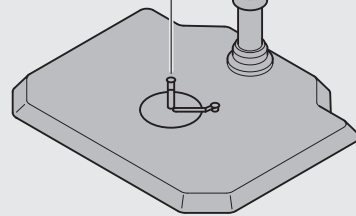
**Stemi mount with drive
for column 32**
455094-9902-000



**Stemi mount U 0°-90°
without drive**
000000-1222-247



**Coarse/fine drive with
T column 350 mm**
435433-9000-000

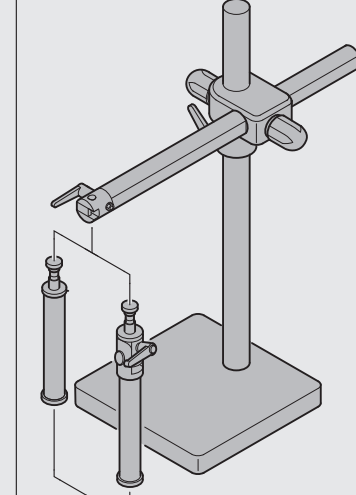


**Stand N
with 350 mm column
and plate 370x440 mm**
455107-0000-000
(incl. insert plate and two stage clips
and security ring)

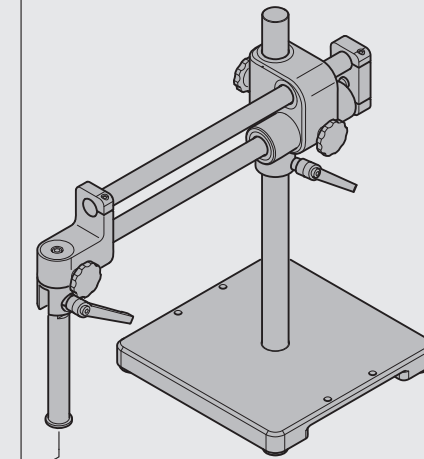
**Stand N
with 450 mm column
and plate 370x440 mm**
455107-9800-000
(incl. insert plate and two stage clips
and security ring)

**Non-tilting head
32/200 to BMS**
000000-1046-525

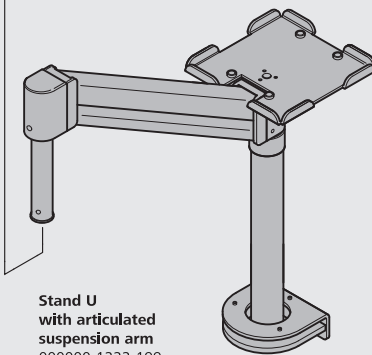
**Tilting head
32/200 to BMS**
000000-1046-524



Stand A
consisting of:
- **Boom A**
000000-1046-522
- **Stand base 10/260x260**
000000-1046-518



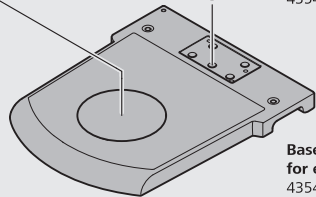
Stand SDA
consisting of:
- **Twin boom SDA 200-530 mm**
435411-0000-000
incl.:
- Column SDA 40/610 mm
- Safety ring for height adjustment
- Twin boom with tilting head
- Stand head 32/200 mm
- **Stand base SDA 350x350x50 mm**
435412-0000-000



**Stand U
with articulated
suspension arm**
000000-1222-199
consisting of:
- Articulated suspension arm U 35/580 mm
- Stand head U 32/125
- Console U
- Table mount U 35/210 mm
- Table clamp U
optional:
- **Traverse U 35/325 mm**
000000-1222-246



as a substitute:
**Plastic plate B/W,
D=120 mm**
435430-0120-010



**Base 300
for epi-illumination**
435433-9400-000
(incl. plastic plate B/W,
D=120 mm)