



## Diaphragm Pumps for Air, Gases and Vapors



With fine control valve and vacuum gauge (.45)

### LABOPORT® Mini-Diaphragm Vacuum Pumps and Compressors

#### Technical features:

- 100% oil-free transfer
- Pure transfer, evacuation and compression
- Version for slightly aggressive or corrosive gases and vapors
- Maintenance-free
- Environmentally friendly
- Gastight, leakage rate approx.  $6 \times 10^{-3}$  mbar x l/s, not tested in serial production.

### Series LABOPORT® N 86 KNP, N 86 KTP Pumps

Series N 86 diaphragm pumps are single-head, dry-running devices used in a wide range of laboratory applications. They transfer, compress and pump down without contamination. The heart of these very compact pumps is a KNF structured diaphragm. This patented diaphragm was stress-optimized using the Finite Elements method. As a result, we were able to make the pumps smaller while increasing the service life of the diaphragm.

The pumps are available in various versions differing in the materials which contact the media.

Technical data:	N 86 KNP	N 86 KTP
Delivery (L/min) <sup>1)</sup>	6	5.5
Ultimate vacuum (Torr)	75	120
Operating pressure (psi)	34.8	36
Connectors for tube (in.)	ID 1/4	
Permissible gas and ambient temperature	+5...+40 °C	
Voltage/Frequency	115V/60Hz	
Motor protection	IP 20	
Power P <sub>1</sub>	65 W	
Operating current	0.76 A	
Weight	4.2 lbs	
Dimensions LxHxW (mm)	164/141/90	
With thermal switch and power fuse. 230V/50Hz available.		

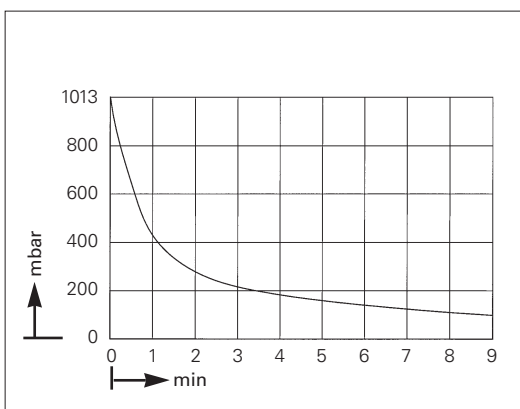
#### Material in contact with the pumped media

Type/OrderNo.	Pump head	Diaphragm	Valves
N 86 KNP	PPS	EPDM	FPM
N 86 KTP	PPS	PTFE-coated	FFPM

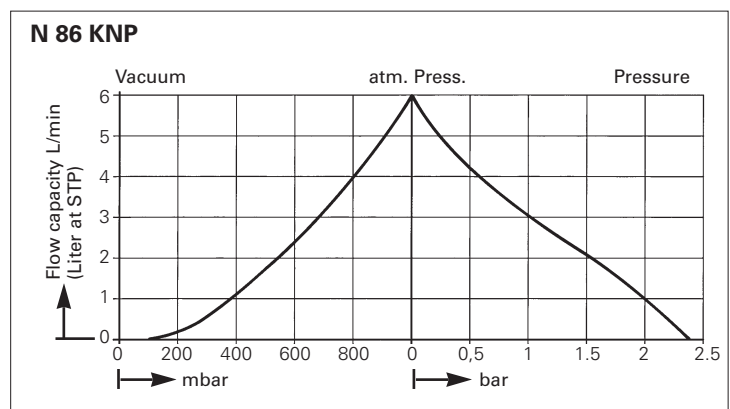
<sup>1)</sup> at atm. pressure

## Dimensions and performance characteristics

#### Pump down time for 5 L receiver

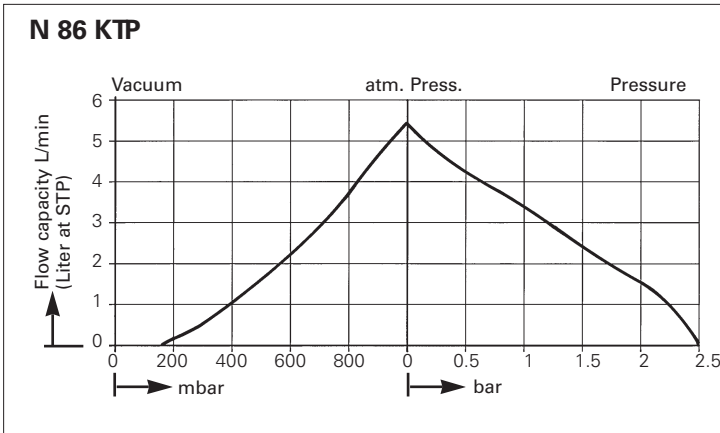


#### Performance characteristics

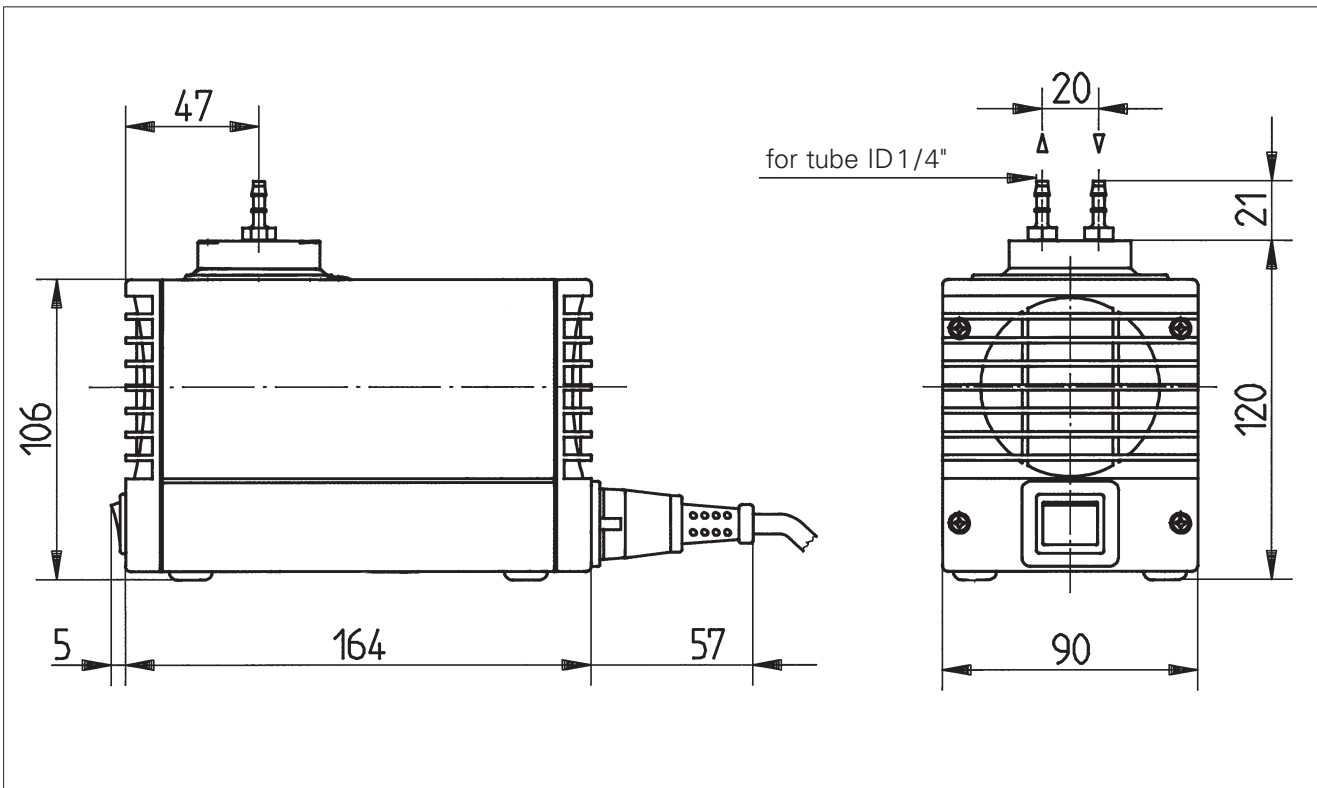


# Diaphragm Pumps for Air, Gases and Vapors

## Performance characteristics



## Dimensions (mm)



## Accessories and spare parts

Description	Details	Order No.
Silencer	G 1/8	000345
Filter	G 1/8	000346
Hose connector	G 1/8, PVDF, AD 4 mm	025671
Fine control valve with pressure gauge	pressure side	N86KT.46P
Fine control valve with vacuum gauge	suction side	N86KT.45P
Spares kit	for N 86 KNP	043241
Spares kit	for N 86 KTP	043242

KNF Neuberger Inc. • 2 Black Forest Road • Trenton, NJ 08691-1810 • 609-890-8600 • Fax: 609-890-8323 • www.knf.com