

Caframo® LabSolutions

3030 Universal

Accommodate changing application needs with power and control. Caframo's Universal delivers significant torque and speed capabilities. A great fit for viscous mixing at higher speeds.

High performance brushless DC motor provides maintenance free operation. Track a change in viscosity throughout the mixing process with the unique torque zero feature. The Universal offers versatile features for success in a range of applications.

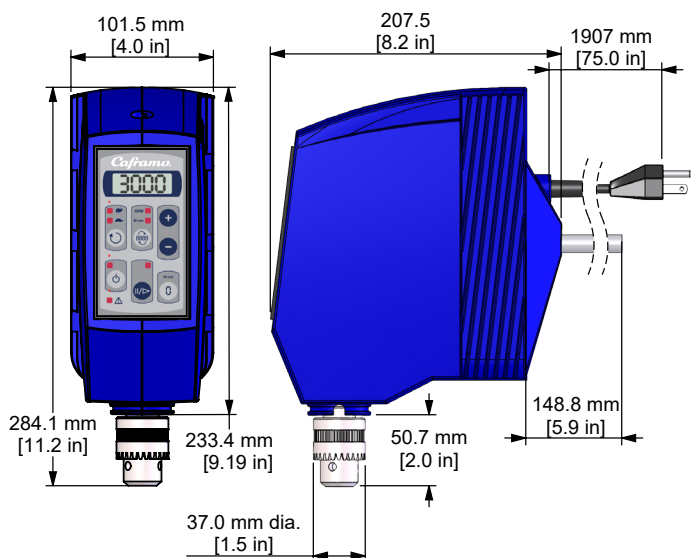
Key Specifications:

Speed Range	• 20 - 3000 rpm
Max Torque	• 339 Ncm
Max Viscosity	• 50,000 cP
Output Power	• 1/5 hp, 150 watts
Max Volume	• 60 litres



Versatile
Efficient
Unbeatable Quality

3030 Universal



Additional Specifications:

Input Power	120 volts, 60 Hz or 220-240 volts, 50/60 Hz
Motor	Brushless DC
Weight	5 kg
Display	Digital display, keypad
Mounting	12.5 mm dia support rod
Impeller Adjustment	Through shaft
Impeller Attachment	Keyed chuck, accepts shafts up to 10 mm dia
Includes	Calibration certificate, chuck, chuck guard, chuck key, support rod and power cord
Approvals	Tested to UL61010 standards See manual for details
Warranty	Three years

Features and Benefits:

2-Speed Transmission

- Smart automatic transmission selects high-torque or high-speed range
- Maintenance free
- Quiet, dependable

Digital Display

- Toggle between both speed and torque values
- Precise speed settings
- Accurate repeatability

Versatile

- Wide speed range
- Adjustable chuck
- Through shaft

Applications:

- Personal care formulation
- Paints and coatings
- Raw material QC
- Pharmaceutical products
- Polymers and epoxies

Mix
Personal
Care
Beautifully!



Cosmetic lotion emulsions

Caframo[®]
LabSolutions

1-800-567-3556 ext 248
CaframoLabSolutions.com
501273 Grey Road 1, Georgian Bluffs ON N0H 2T0 Canada