

# *Caframo*<sup>®</sup> LabSolutions

## 250 Petite Digital

The ultimate in compact design, the Petite Digital fits into small spaces and transports easily between labs or classrooms. Use in education labs, formulation, R&D, clinical research, and anywhere a magnetic stirrer is used and more.

Built in Canada with superior quality components, including a brushless DC motor, digital display and intuitive keypad guarantees a long, maintenance free life.

The Petite Digital comes complete including a stand, integral clamp, power cord, and both radial and axial impellers. The power offered by this small, full featured overhead stirrer surpasses anything you have ever seen in a stirrer this size.

### Key Specifications:

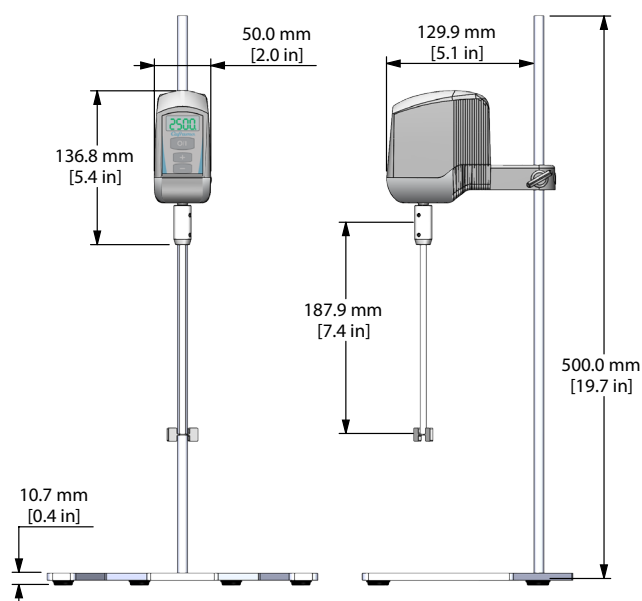
Speed Range	• 50-2500 rpm
Max Torque	• 10 Ncm
Max Viscosity	• Water-like
Output Power	• 7 watts, 1/50 hp
Max Volume	• 2 litres

## The Perfect Package

Ultra-Compact  
Powerful



# 250 Petite Digital



## Features and Benefits:

### Ultra-Compact Footprint

- Fits in very small workspaces
- Weighs less than 0.5 kg
- Portable

### Complete Package

- Axial and radial impellers and stand included
- Secure support from integral clamp
- Stainless steel collet with 6 mm opening

### Quality First

- Molded nylon housing
- Brushless DC motor
- Stainless steel impellers

## Applications:

- Academic classroom labs
- Mining hydrometallurgy
- Small volume raw material QC
- Heat transfer in water baths
- Solids suspension and slurries

## Additional Specifications:

<b>Input Power</b>	100-240 volts; 50/60 Hz
<b>Motor</b>	Brushless DC
<b>Weight</b>	1.47 kg (total package) 0.37 kg (stirrer only)
<b>Display</b>	Digital display, keypad
<b>Mounting</b>	Integral clamp fits rods up to 16 mm dia
<b>Impeller Attachment</b>	Collet, stainless steel, accepts 6 mm dia shafts
<b>Includes</b>	Stirrer, stand, integral clamp, power cord, axial and radial impeller
<b>Approvals</b>	Tested to UL61010 standards See manual for details
<b>Warranty</b>	Three Years

## The ultimate in compact design!



**Caframo**<sup>®</sup>  
LabSolutions

1-800-567-3556 ext 248

**CaframoLabSolutions.com**

501273 Grey Road 1, Georgian Bluffs ON N0H 2T0 Canada

4/24 Rev03