

Caframo® LabSolutions

1540 Crossover

The Caframo 1540 combines industrial control features and incredible amounts of power creating a portable mixer perfectly suited for lab or production batches.

Resume on power up allows precise control by a PC or PLC. Plug in a USB drive for immediate data logging of date, speed, time and torque. Alarms, timers, PC programmability as well as "mount and plug in" installation provide a transportable mixer from bench top to barrel.

Key Specifications:

- | | |
|---------------|----------------------------------|
| Speed Range | • 50-1500 rpm, (0.83 - 25 hertz) |
| Max Torque | • 3000 Ncm |
| Max Viscosity | • 180,000 cP |
| Output Power | • 1/2 hp, 300 watts |
| Max Volume | • 200 litres |

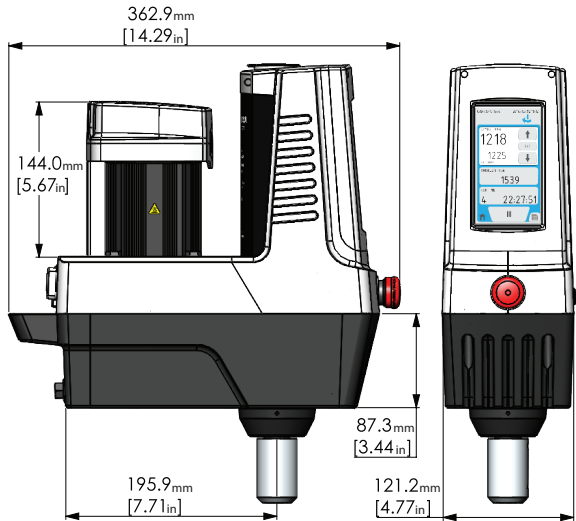
PC Control

Portable Power

Crossover to Industrial



1540 Crossover



Features and Benefits:

Brushless DC Motor - fan cooled

- High efficiency, 300 watts at shaft
- Highest torque overhead mixer on market
- Overload and overheat protection

GUI - resistive touch control

- Operate with a gloved hand
- Large (60 x 1100 mm) visibility of settings
- Speed control on home screen

Mounting - bolt pattern

- C-clamp accessory angles mixing shaft into vessel
- Flat plate accessory for surface mounting
- Bolt pattern allows mounting into custom systems

Applications:

- Media prep
- Pharma batches of creams
- Wastewater flocculation
- Industrial pilot plants
- Biological, diagnostic products

Additional Specifications:

Input Power	120 volts, 60 Hz
Motor	Brushless DC
Weight	12 kg
Display	Graphic user interface, resistive touch screen
Mounting	Square bolt pattern, 87.6 mm
Impeller Adjustment	Through shaft
Impeller Attachment	Keyed chuck, 420 SS, accepts shafts up to 15.9 mm
Communications and Data Logging	USB, DB9, and Isolated analog 4-20mA
Includes	Mixer, chuck, chuck key, chuck shaft guard, mounting hardware and power cord
Approvals	Tested to UL61010 standards See manual for details
Warranty	Three years

**A mixer
you will NOT
want to share!**



Caframo[®]
LabSolutions

1-800-567-3556 ext 248
CaframoLabSolutions.com
501273 Grey Road 1, Georgian Bluffs ON N0H 2T0 Canada

03/23 Rev01