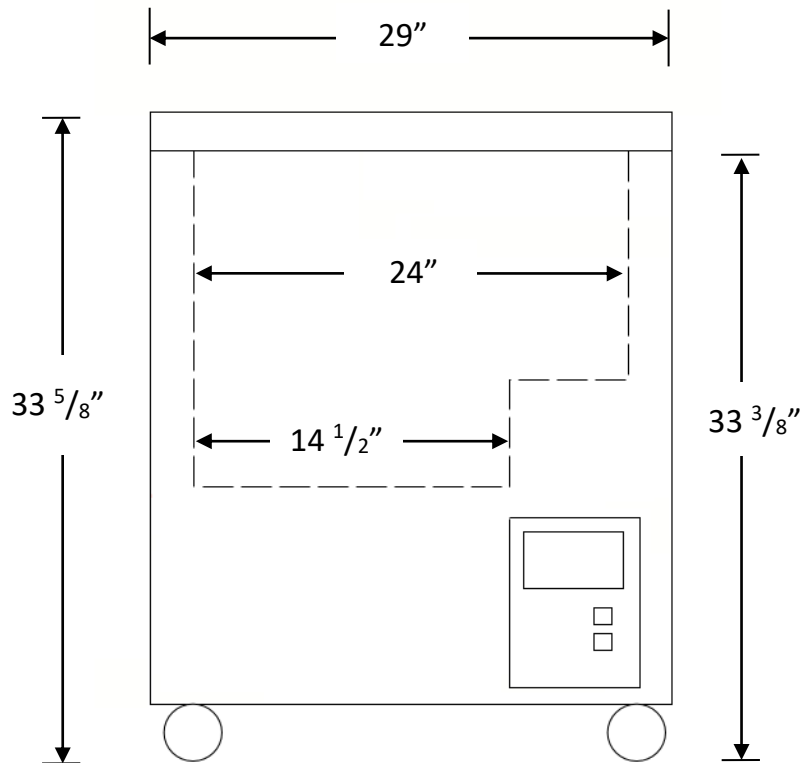


Chest Freezer Side View

| FREEZER SPECIFICATIONS | | |
|----------------------------|--------------|----------|
| CAPACITY | 5 CUBIC FEET | |
| STYLE | CHEST | |
| NET WEIGHT | 100 LBS. | |
| SHIPPING WEIGHT | 140 LBS. | |
| INTERIOR DIMENSIONS | | |
| INTERIOR WIDTH | 24.00" | 60.1 CM |
| INTERIOR DEPTH | 15.25" | 38.7 CM |
| INTERIOR HEIGHT | 26.00" | 66.0 CM |
| EXTERIOR DIMENSIONS | | |
| EXTERIOR WIDTH | 29.00" | 73.7 CM |
| EXTERIOR DEPTH | 24.00" | 61.0 CM |
| EXTERIOR HEIGHT | 33.63" | 85.4 CM |
| EXTERIOR CRATED DIMENSIONS | | |
| CRATED WIDTH | 30.00" | 76.2 CM |
| CRATED DEPTH | 25.00" | 63.5 CM |
| CRATED HEIGHT | 46.00" | 116.8 CM |



Chest Freezer Front View