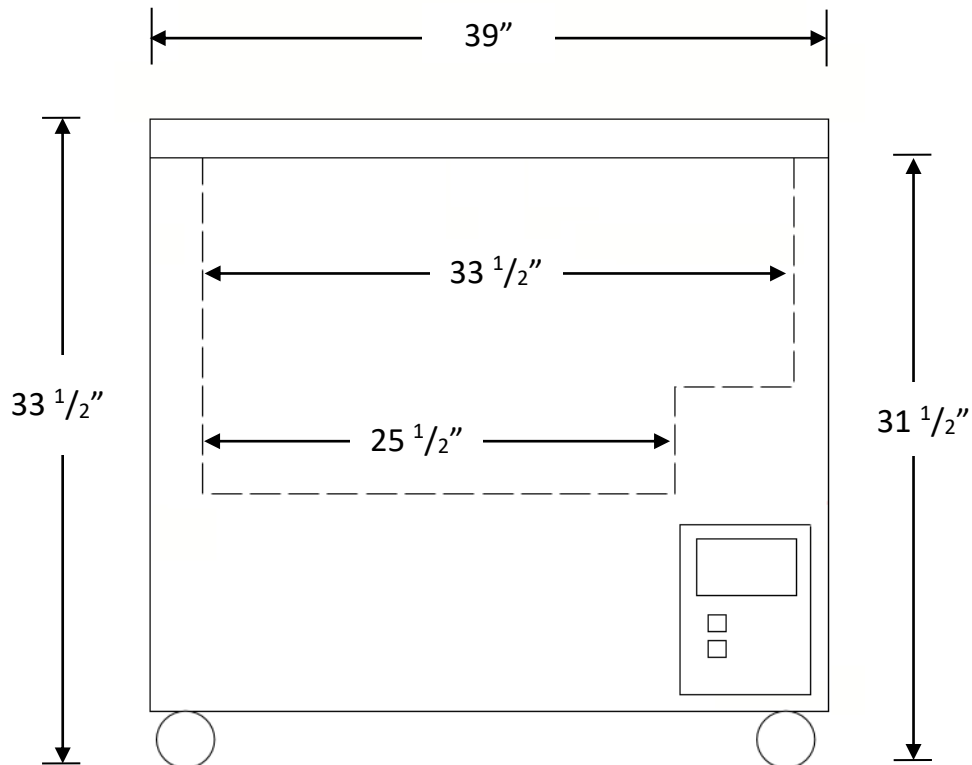


Chest Freezer Side View

FREEZER SPECIFICATIONS		
CAPACITY	9 CUBIC FEET	
STYLE	CHEST	
NET WEIGHT	110 LBS.	
SHIPPING WEIGHT	150 LBS.	
INTERIOR DIMENSIONS		
INTERIOR WIDTH	33.50"	85 CM
INTERIOR DEPTH	17.50"	44 CM
INTERIOR HEIGHT	27.50"	69 CM
EXTERIOR DIMENSIONS		
EXTERIOR WIDTH	39.00"	99 CM
EXTERIOR DEPTH	23.50"	59 CM
EXTERIOR HEIGHT	33.50"	85 CM
EXTERIOR CRATED DIMENSIONS		
CRATED WIDTH	48.00"	121.9 CM
CRATED DEPTH	43.00"	109.2 CM
CRATED HEIGHT	57.00"	144.8 CM



Chest Freezer Front View