



ACCU-SCOPE®

MICROSCOPY & IMAGING SOLUTIONS

EXC-100 Series
Student Microscopes



EXC-103 trinocular
microscope

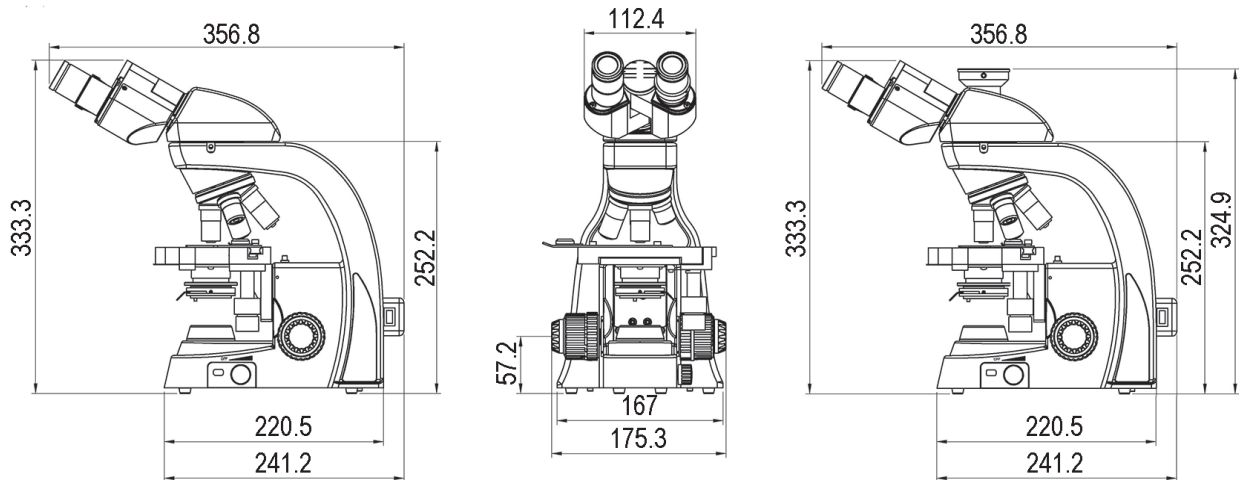
Empowering Discovery. Advancing Results.

EXC-100 Student Microscopes

SPECIFICATIONS

Viewing Head	EXC-100: Binocular, inclined 30°, rotatable 360°, adjustable interpupillary distance 50-75mm, right diopter adjustment; EXC-103: Trinocular, inclined 30°, rotatable 360°, fixed 50/50 light split (eyepieces/photo port), adjustable interpupillary distance 50-75mm, right diopter adjustment
Optical System	DIN Optical System, f = 160mm
Objectives	DIN Achromat 4x, 10x, 40xR* and 100xR* oil objectives (* spring loaded)
Eyepiece	WF10x eyepiece, 18mm field of view, pointer in one eyepiece
Nosepiece	Rear-facing, 4-position nosepiece with positive click stops to ensure objective alignment
Focusing System	Coaxial coarse and fine focus, focus tension adjustment; focus travel stop
Stage	Double-layer mechanical stage, right side XY controllers, 115x125mm, slide holder
Condenser	N.A. 1.25 condenser, iris diaphragm, filter holder
Illumination	Variable and rechargeable [†] 0.2W LED illuminator ([†] requires three AA 1300mAh 1.2V NiMH batteries, included)
Stand	Cast aluminum alloy with built-in carry handle and power cord wrap
Power	Universal power supply (built-in); input 100-240VAC, output 5V 1A
Accessories	Instruction manual
Camera Adapters (EXC-103 only)	Optional: 0.35x, 0.5x, 0.65x and 1.0x C-mount camera adapters; Photo tube (<i>requires camera adapter, not included</i>)
Warranty	5-year limited warranty for parts, labor and electronic components; 1-year warranty on LED bulb

EXC-100 Series Dimensional Drawings



Dimensions in mm



Copyright © 2023 ACCU-SCOPE Inc. All rights reserved. Printed in the U.S.A. ACCU-SCOPE Inc. reserves the right to change and improve specifications without notice due to technological or manufacturing advances.



v031523