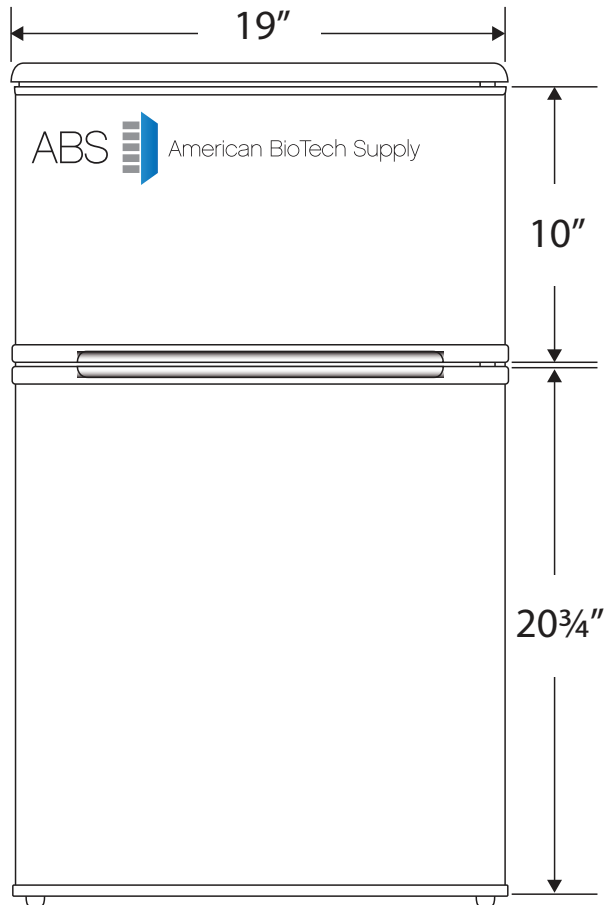
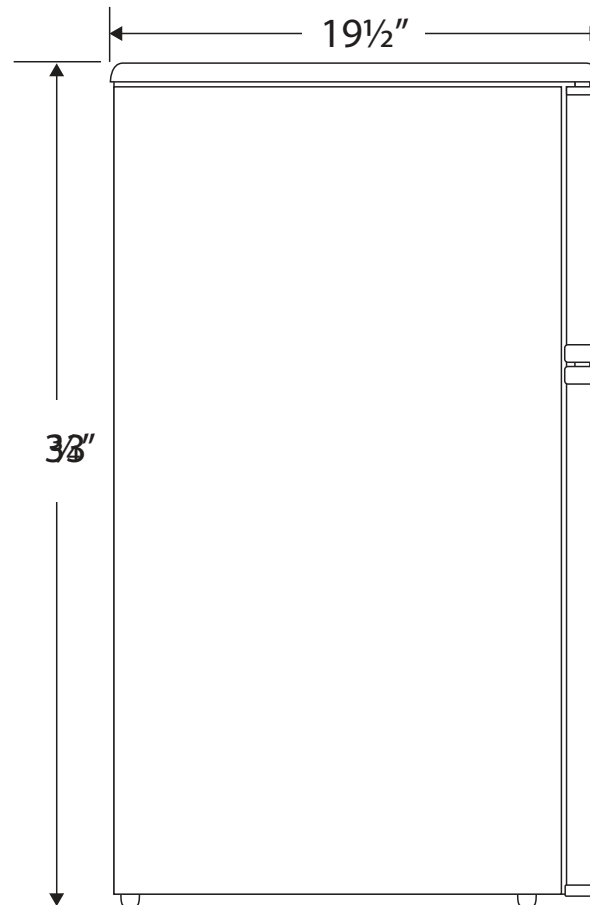


CUTSHEET

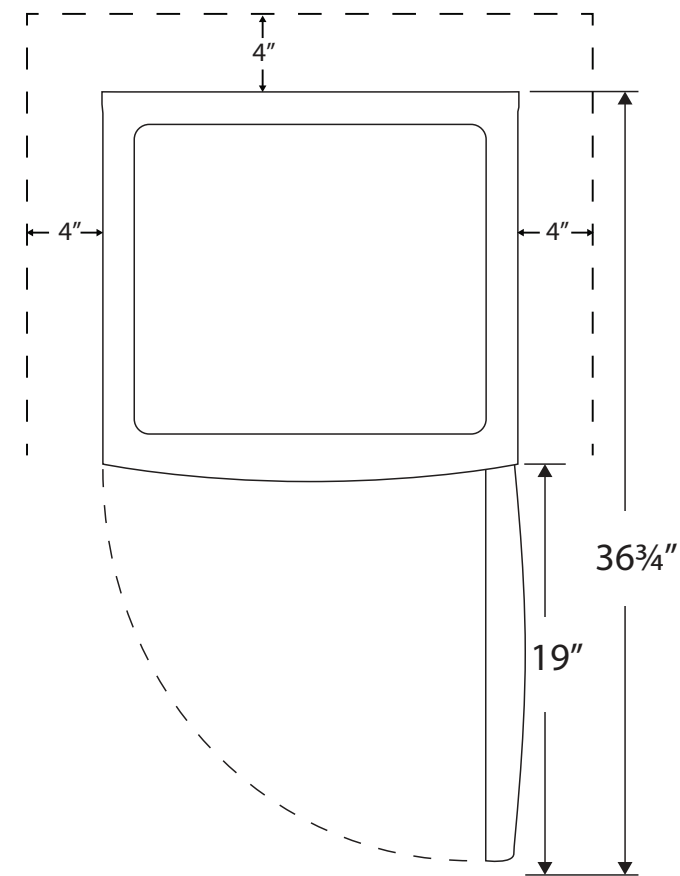
Front View



Side View



Top View



NOTE: Ventilation Requirements – Minimum 4" clearance on sides and back



115VAC/60Hz/1PH
NEMA-5-15P

Compartment	Cu. Ft	Defrost	Door	Int Door	Shelves	W"	D"	H"	Refrigerant	H.P.	Amps	Weight
Freezer	1	Manual	1 Solid	0	1 Bin	19	19 1/2	33 3/4	R134a	1/6	1.3	66 lbs.
Refrigerator	2	Cycle	1 Solid	0	1 Fixed/1 Adj.							