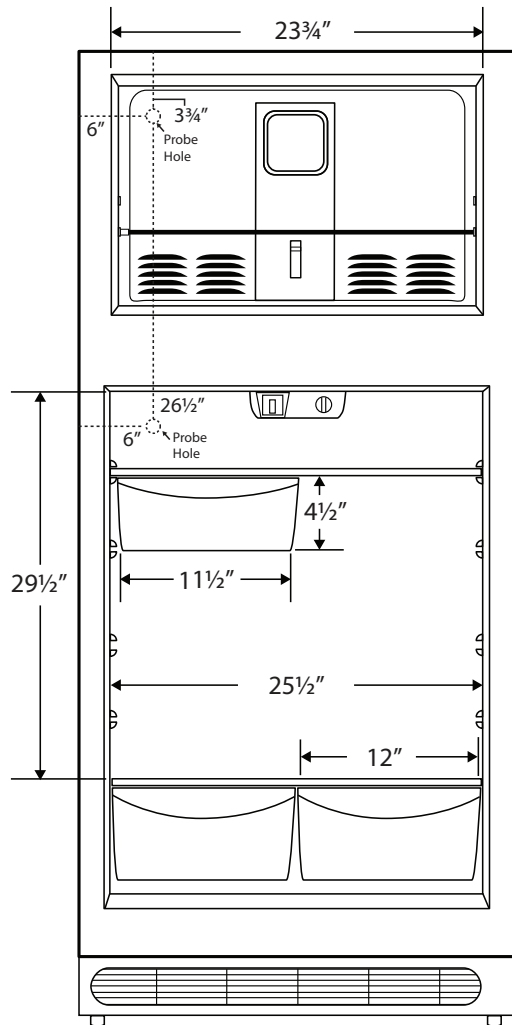
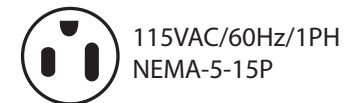
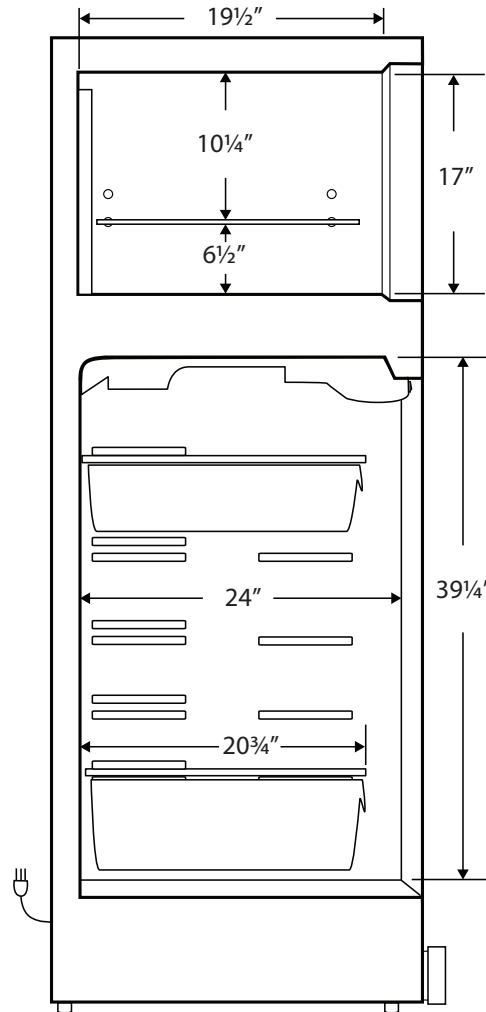


CUTSHEET

Front View



Side View



Compartment	Cu. Ft	Defrost	Door	Int Door	Shelves	Interior Dim.			Refrigerant	H.P.	Amps	Weight
						W"	D"	H"				
Freezer	5.5	Auto	1 Solid	0	1 Fixed	23 3/4	19 1/2	17	R134a	1/4	6	171 lbs.
Refrigerator	15.5	Auto	1 Solid	0	2 Adj./1 Fixed	25 1/2	24	39 1/4				

Note: Interior dimensions are estimates and subject to change without notice