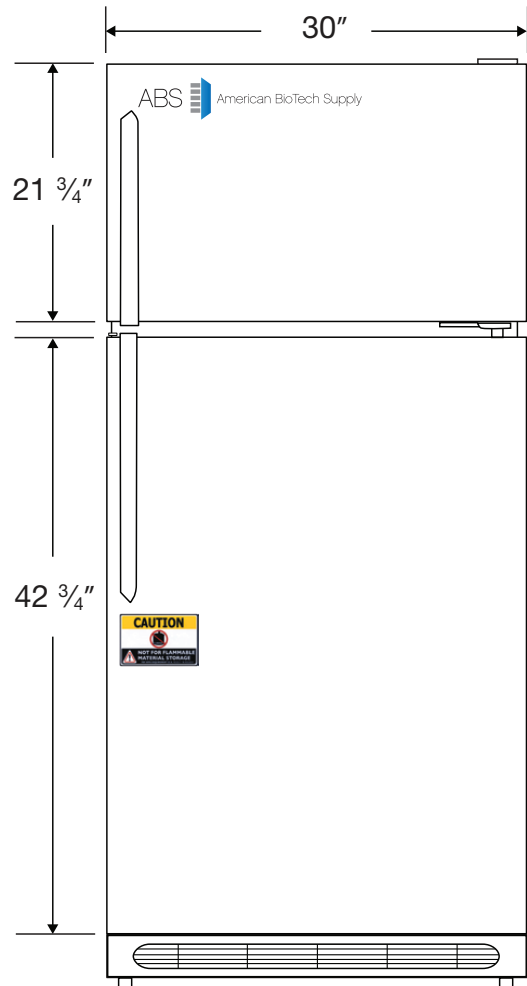
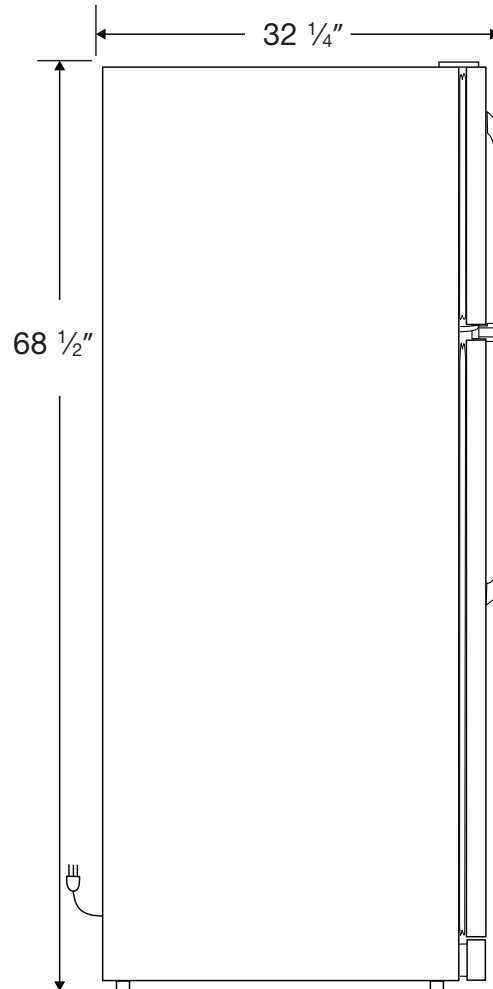


CUTSHEET

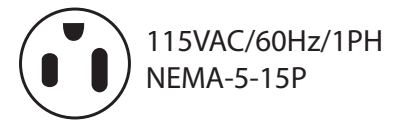
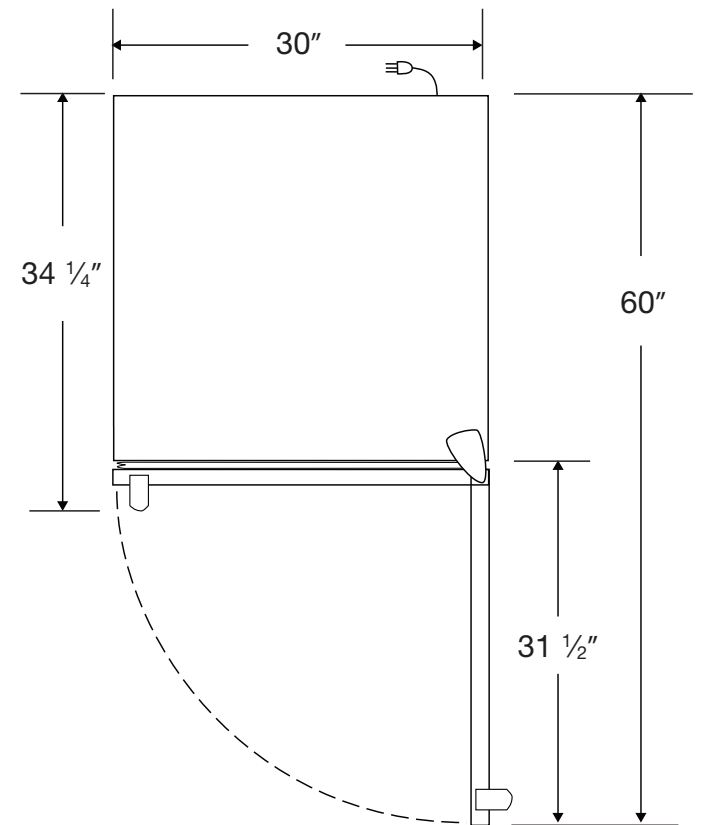
Front View



Side View



Top View



Compartment	Cu. Ft	Defrost	Door	Int Door	Shelves	W"	D"	H"	Refrigerant	H.P.	Amps	Weight
Freezer Refrigerator	5.5 15.5	Auto Auto	1 Solid 1 Solid	0 0	1 Fixed 2 Adj./1 Fixed	30	34 1/4	68 1/2	R134a	1/4	6	171 lbs.