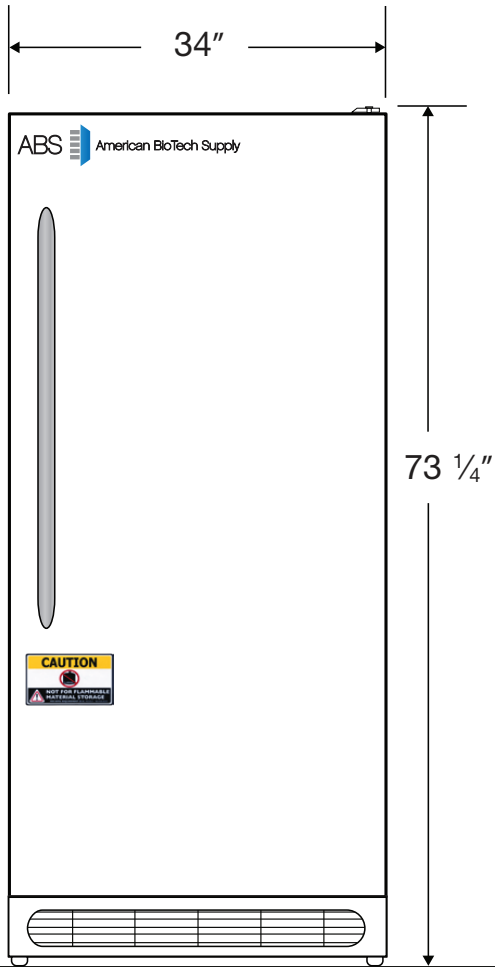
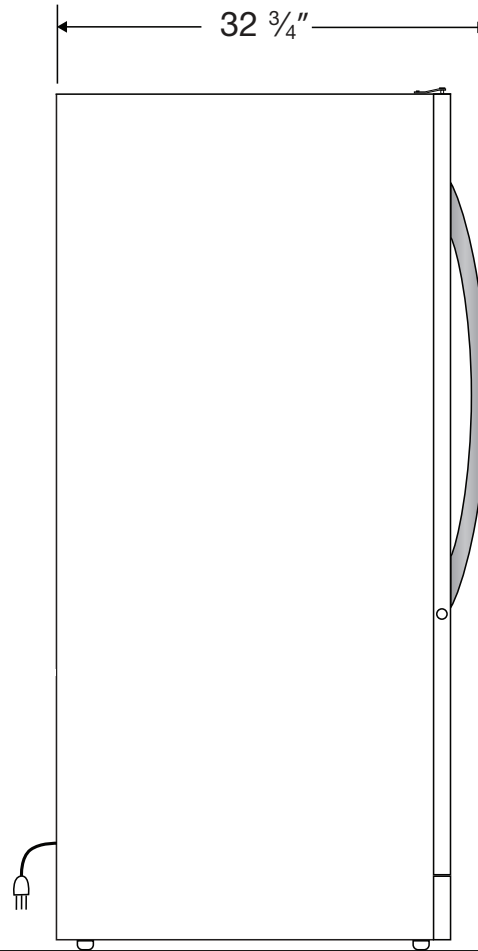


CUTSHEET

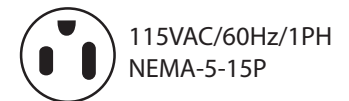
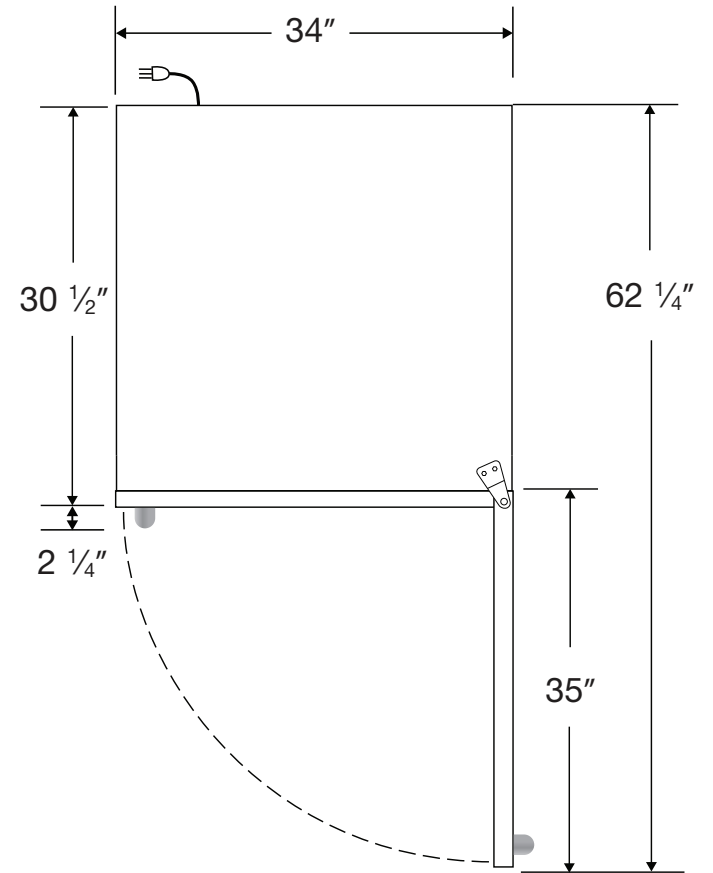
Front View



Side View



Top View



Cu. Ft	Defrost	Door	Int Door	Shelves	W"	D"	H"	Refrigerant	H.P.	Amps	Weight
20	Manual	1 Solid	0	4 Fixed	34	32 3/4	77 1/4	R134a	1/3	5	170 lbs.