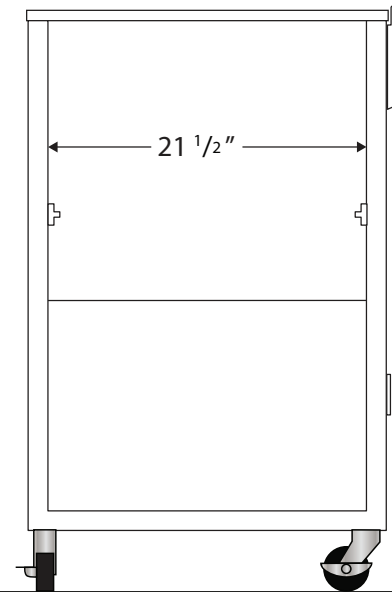
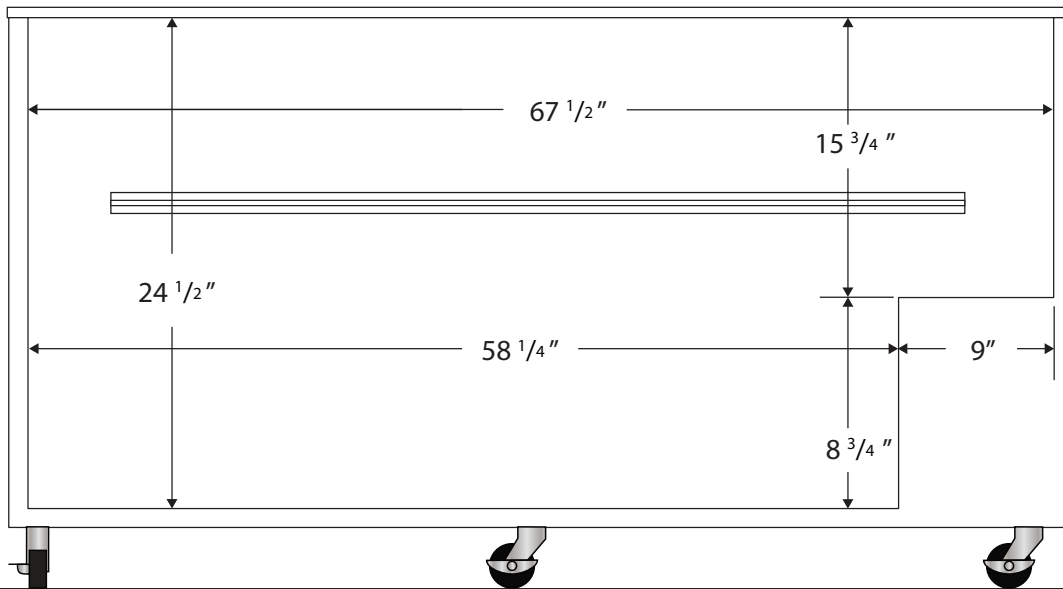


CUTSHEET

Front View

Side View



| Cu. Ft | Defrost | Door | Int Door | Shelves | Interior Dim. | | | Refrigerant | H.P. | Amps | Weight |
|--------|---------|---------|----------|-----------|---------------|--------|--------|-------------|------|------|----------|
| | | | | | W" | D" | H" | | | | |
| 20 | Manual | 1 Solid | 0 | 2 Baskets | 67 1/2 | 21 1/2 | 24 1/2 | R134a | 1/4 | 5 | 181 lbs. |

Note: Interior dimensions are estimates and subject to change without notice