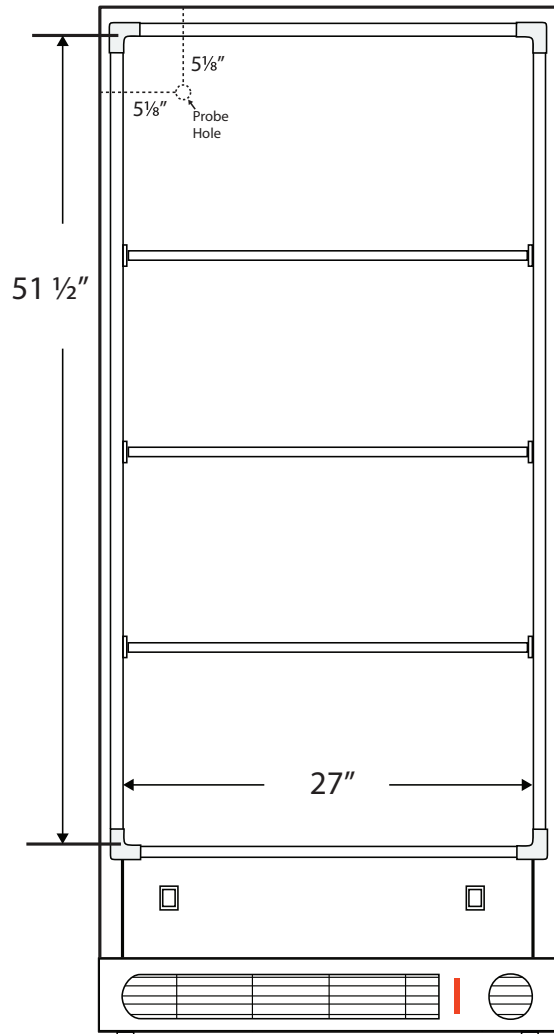
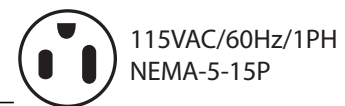
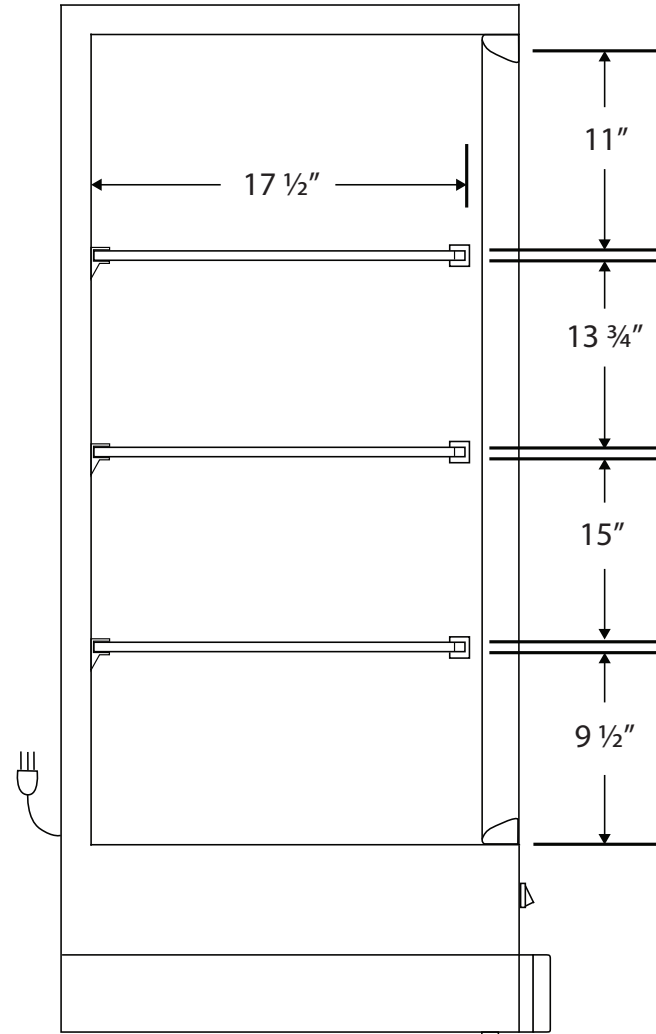


**CUTSHEET**

**Front View**



**Side View**



Cu. Ft	Defrost	Door	Int Door	Shelves	Interior Dim.			Refrigerant	H.P.	Amps	Weight
					W"	D"	H"				
17	Manual	1 Solid	0	3 Fixed	27	17 1/2	51 1/2	R134a	1/3	5	167 lbs.

Note: Interior dimensions are estimates and subject to change without notice