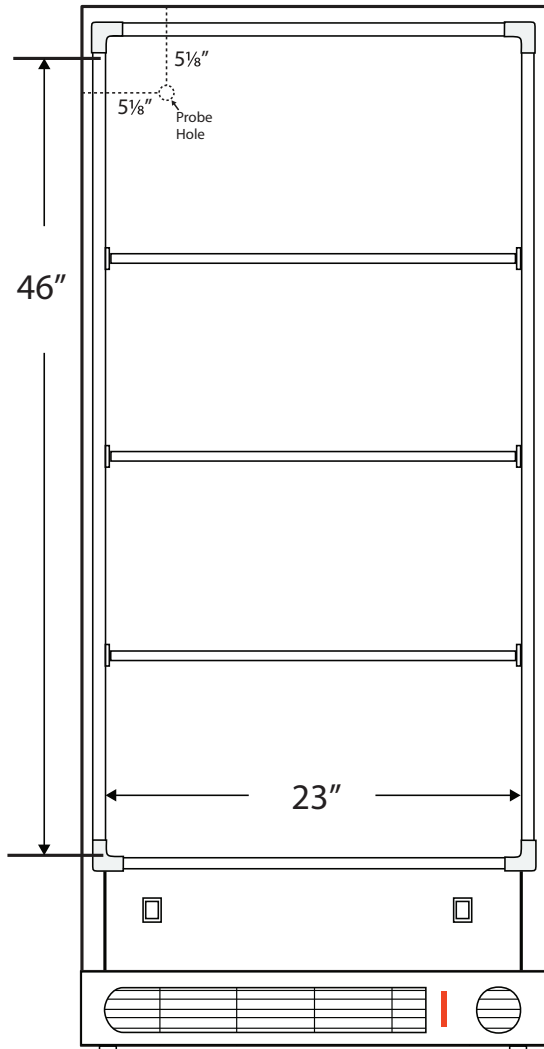
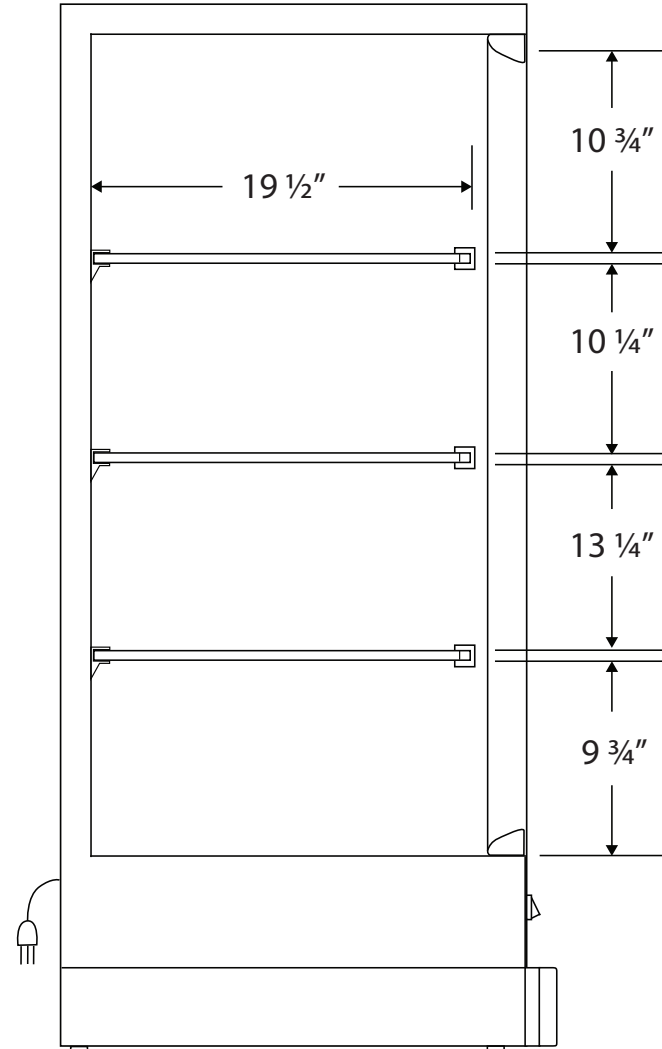


**CUTSHEET**

**Front View**



**Side View**



Cu. Ft	Defrost	Door	Int Door	Shelves	Interior Dim.			Refrigerant	H.P.	Amps	Weight
					W"	D"	H"				
14	Manual	1 Solid	0	3 Fixed	23	19 1/2	46	R134a	1/3	5	125 lbs.

Note: Interior dimensions are estimates and subject to change without notice