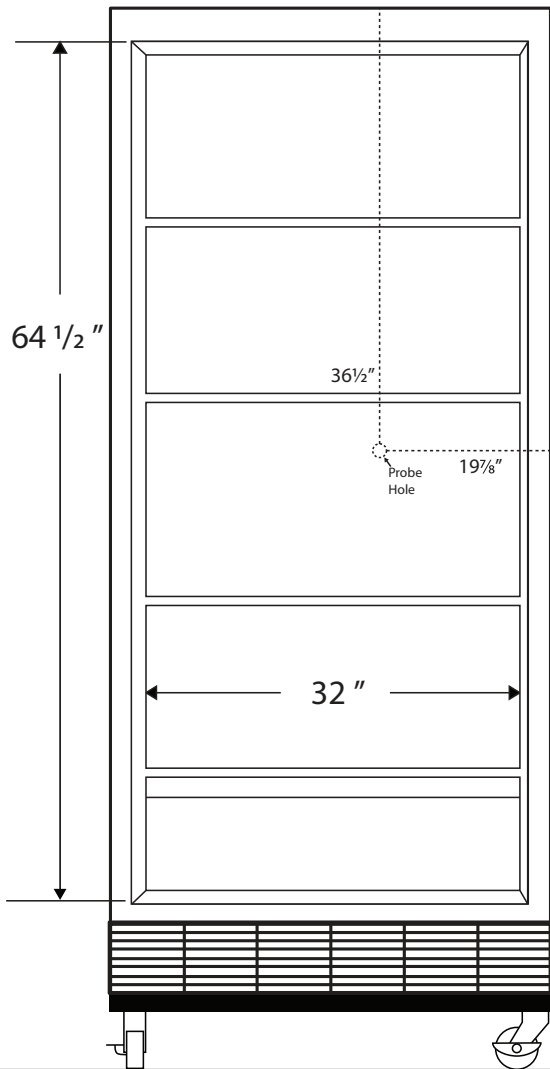
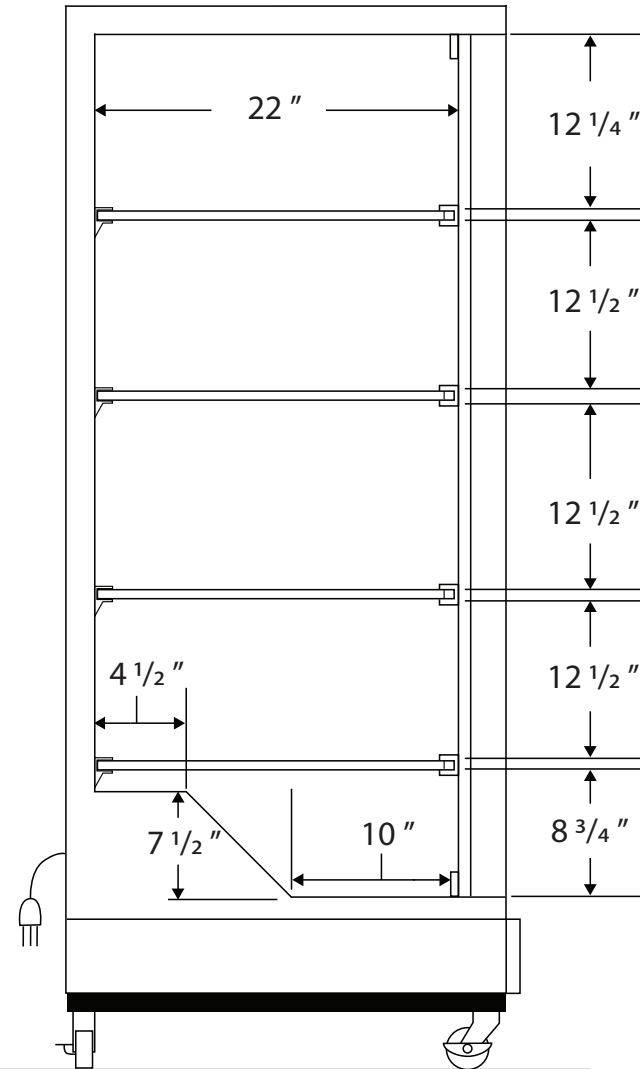


CUTSHEET

Front View



Side View



| Cu. Ft | Defrost | Door | Int Door | Shelves | Interior Dim. | | | Refrigerant | H.P. | Amps | Weight |
|--------|---------|---------|----------|---------|---------------|----|--------|-------------|------|------|----------|
| | | | | | W" | D" | H" | | | | |
| 30 | Manual | 1 Solid | 5 | 4 Fixed | 32 | 22 | 64 1/2 | R404a | 1/3 | 6 | 402 lbs. |

Note: Interior dimensions are estimates and subject to change without notice