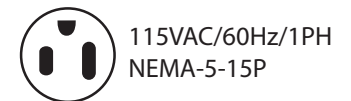
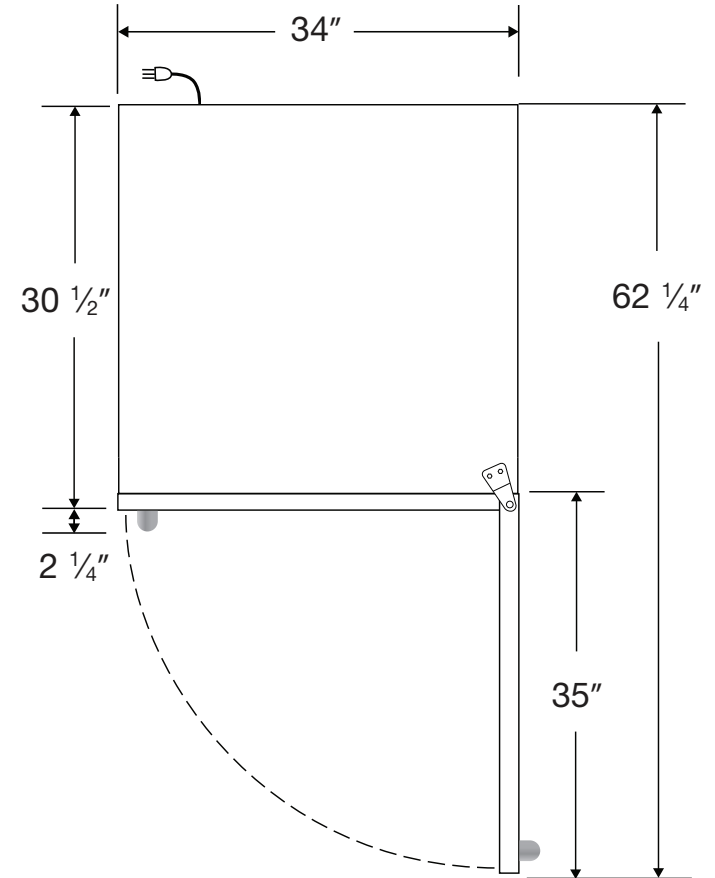
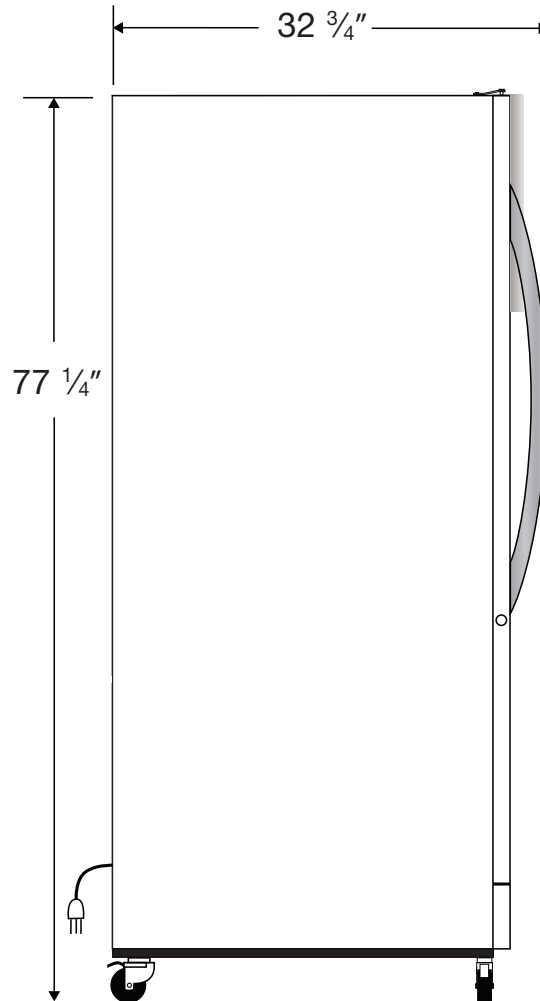
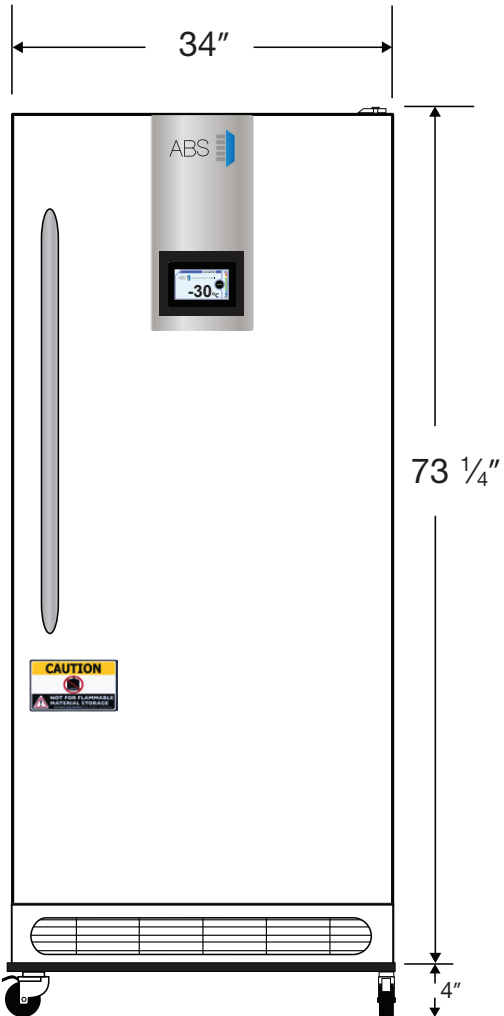


CUTSHEET

Front View

Side View

Top View



| Cu. Ft | Defrost | Door | Int Door | Shelves | W" | D" | H" | Refrigerant | H.P. | Amps | Weight |
|--------|---------|---------|----------|---------|----|--------|--------|-------------|------|------|----------|
| 20 | Manual | 1 Solid | 5 | 4 Fixed | 34 | 32 3/4 | 77 1/4 | R134a | 1/3 | 5 | 254 lbs. |