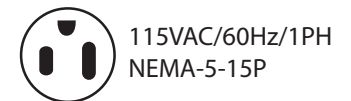
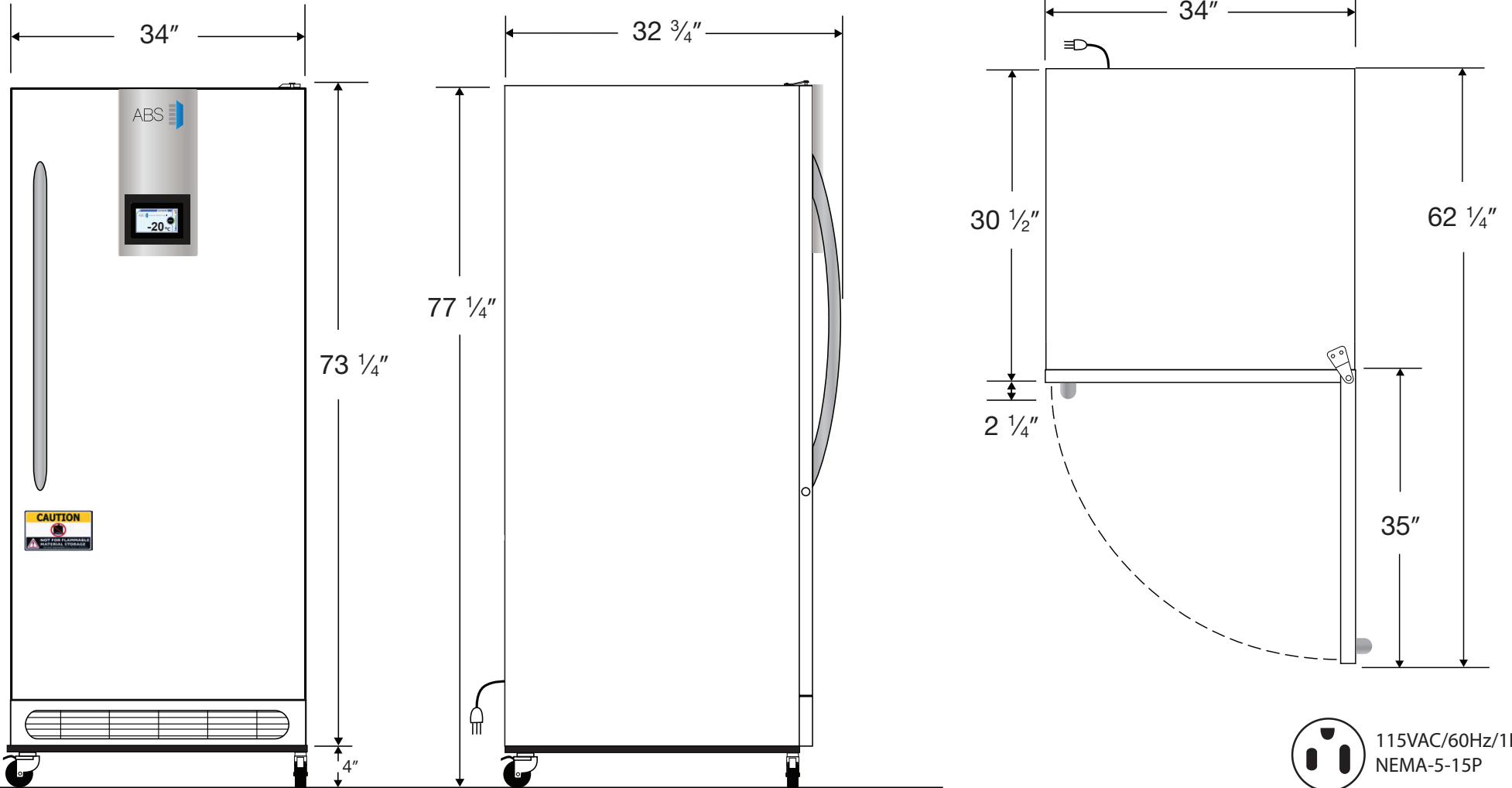


**CUTSHEET**

**Front View**

**Side View**

**Top View**



| Cu. Ft | Defrost | Door    | Int Door | Shelves | W" | D"     | H"     | Refrigerant | H.P. | Amps | Weight   |
|--------|---------|---------|----------|---------|----|--------|--------|-------------|------|------|----------|
| 20     | Manual  | 1 Solid | 5        | 4 Fixed | 34 | 32 3/4 | 77 1/4 | R134a       | 1/3  | 5    | 254 lbs. |