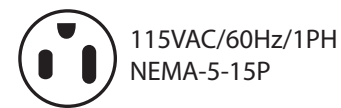
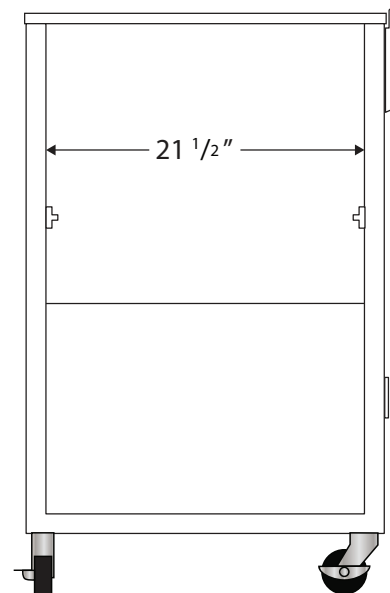
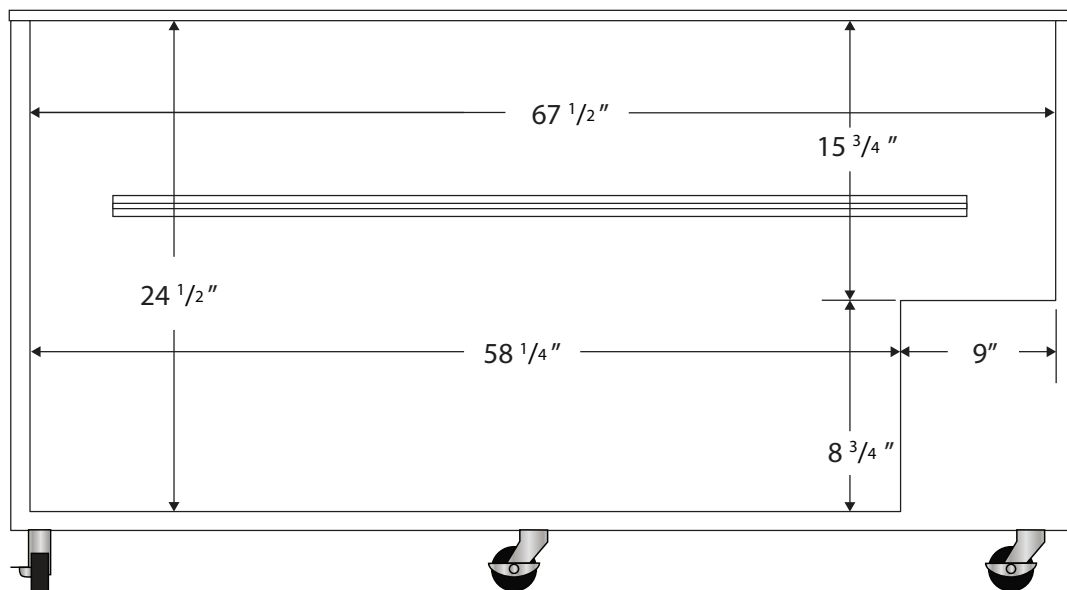


CUTSHEET

Front View

Side View



Cu. Ft	Defrost	Door	Int Door	Shelves	Interior Dim.			Refrigerant	H.P.	Amps	Weight
					W"	D"	H"				
20	Manual	1 Solid	0	2 Baskets	67 1/2	21 1/2	24 1/2	R134a	1/4	5	181 lbs.

Note: Interior dimensions are estimates and subject to change without notice