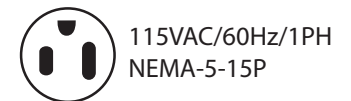
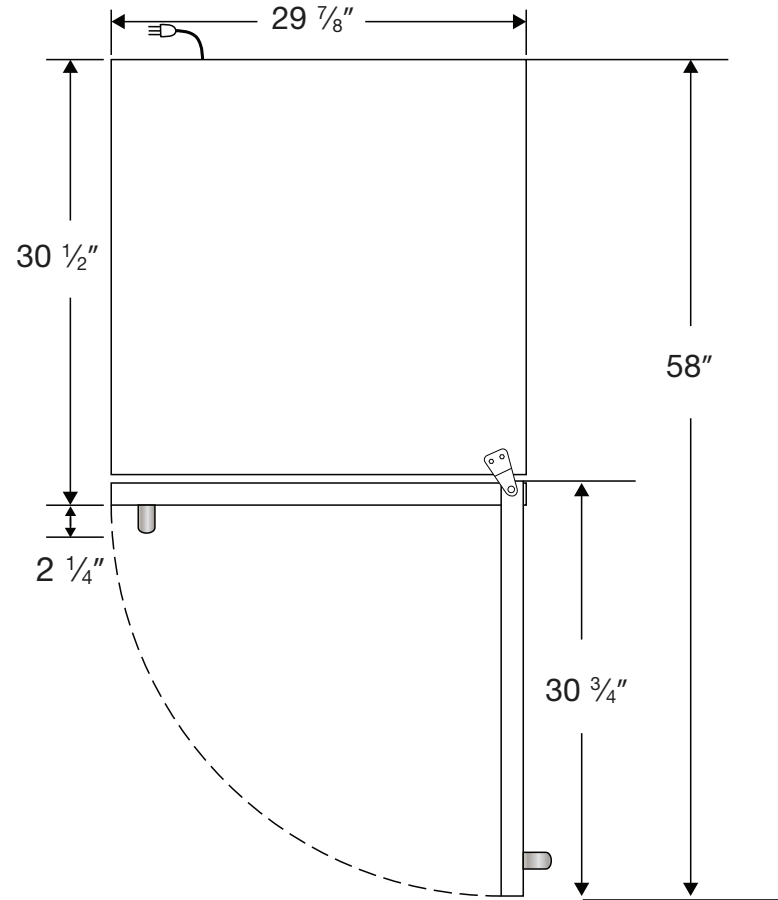
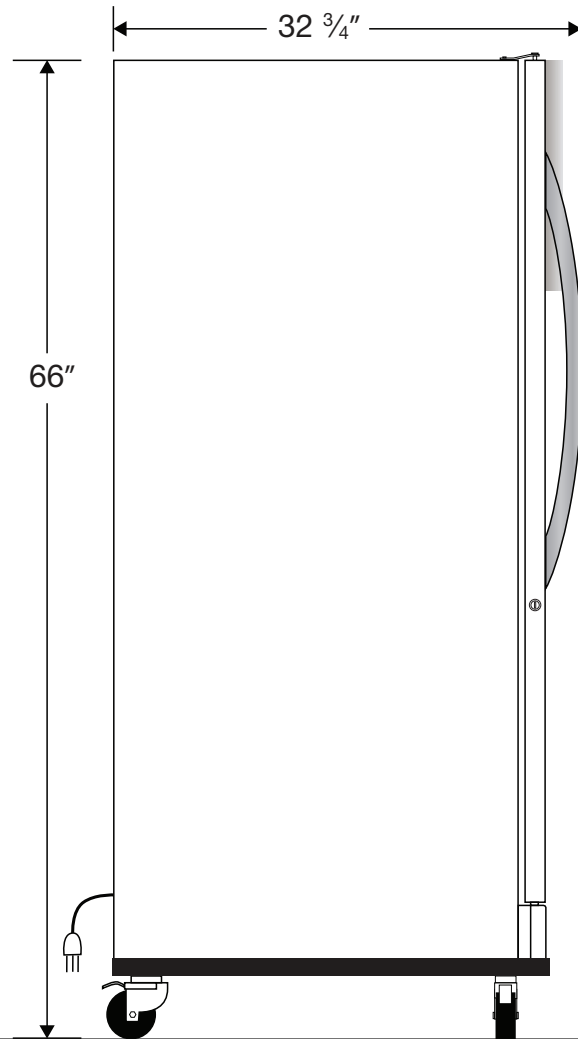
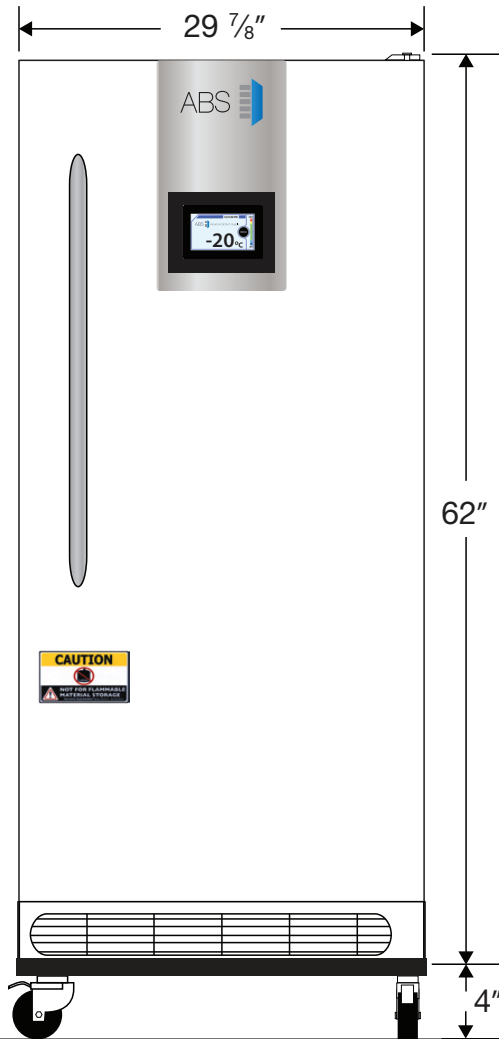


CUTSHEET

Front View

Side View

Top View



Cu. Ft	Defrost	Door	Int Door	Shelves	W"	D"	H"	Refrigerant	H.P.	Amps	Weight
14	Manual	1 Solid	4	3 Fixed	29 7/8	32 3/4	66	R134a	1/3	5	163 lbs.