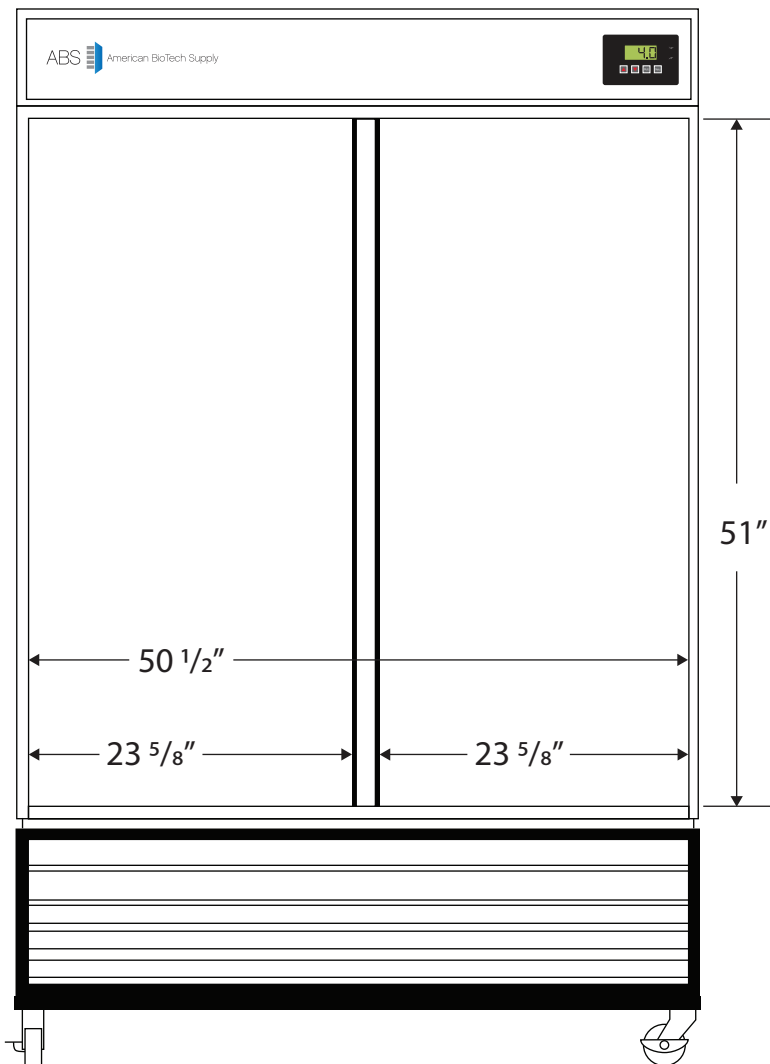
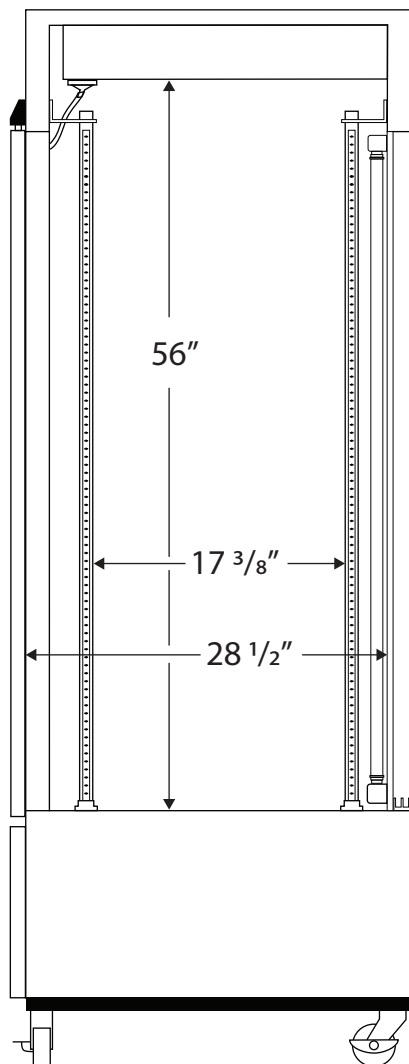



CUTSHEET

Front View



Side View



 115VAC/60Hz/1PH
NEMA-5-15P

Cu. Ft	Defrost	Doors Front	Doors Back	Shelves	Interior Dim.			Refrigerant	H.P.	Amps	Weight
					W"	D"	H"				
49	Cycle	2 Glass Swing	2 Solid Swing	8 Adj.	50 1/2	28 1/2	56	R290	1/2	8.5	525 lbs.

Note: Interior dimensions are estimates and subject to change without notice